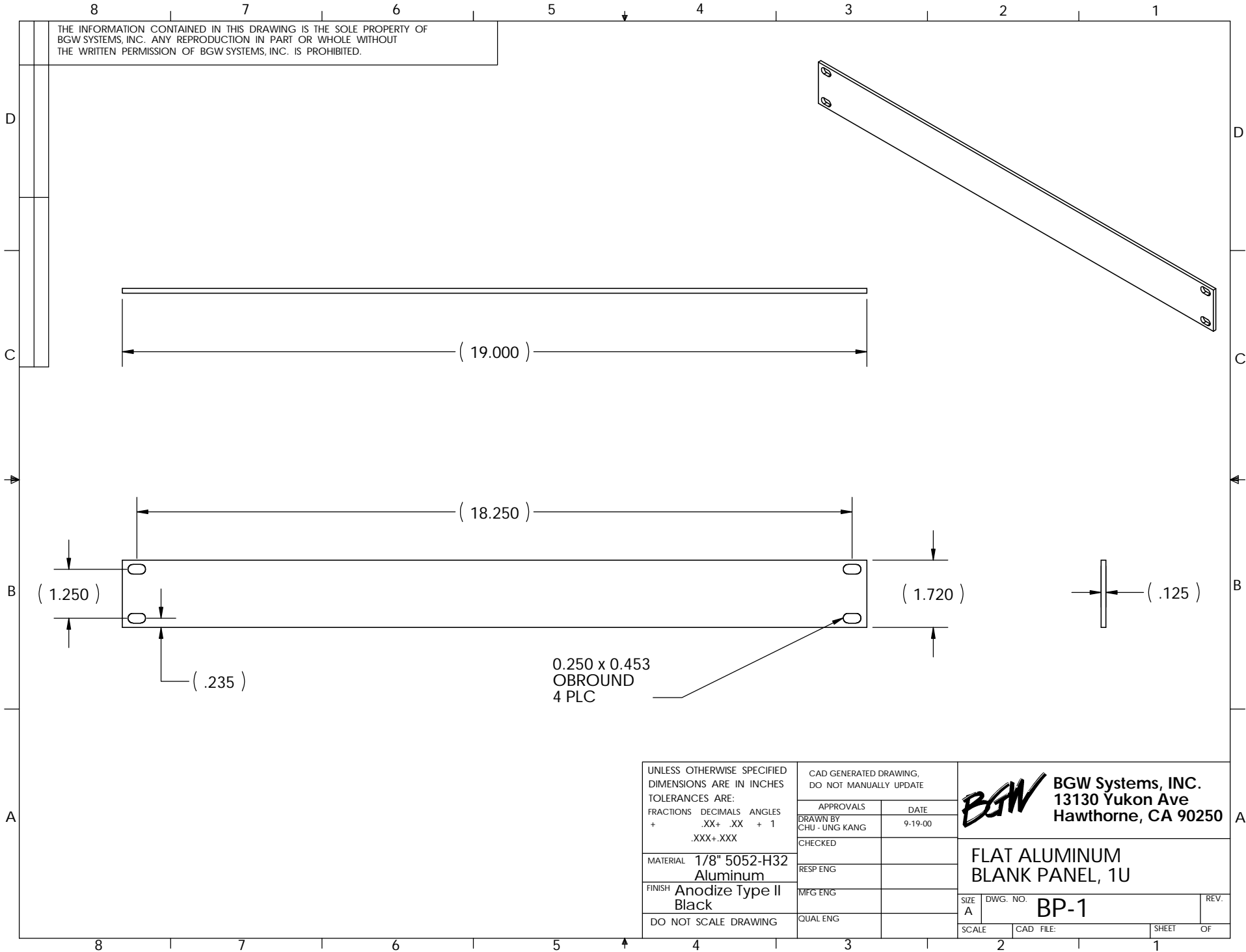



THE INFORMATION CONTAINED IN THIS DRAWING IS THE SOLE PROPERTY OF  
 BGW SYSTEMS, INC. ANY REPRODUCTION IN PART OR WHOLE WITHOUT  
 THE WRITTEN PERMISSION OF BGW SYSTEMS, INC. IS PROHIBITED.



0.250 x 0.453  
 OBROUND  
 4 PLC

UNLESS OTHERWISE SPECIFIED DIMENSIONS ARE IN INCHES TOLERANCES ARE: FRACTIONS DECIMALS ANGLES + .XX+ .XX + 1 .XXX+.XXX	CAD GENERATED DRAWING, DO NOT MANUALLY UPDATE		 <b>BGW Systems, INC.</b> 13130 Yukon Ave Hawthorne, CA 90250			
	APPROVALS DRAWN BY CHU - UNG KANG	DATE 9-19-00		<b>FLAT ALUMINUM          BLANK PANEL, 1U</b>		
	CHECKED		SIZE A		DWG. NO. <b>BP-1</b>	REV.
	MATERIAL <b>1/8" 5052-H32          Aluminum</b> FINISH <b>Anodize Type II          Black</b> DO NOT SCALE DRAWING	RESP ENG MFG ENG QUAL ENG	SCALE 2		CAD FILE:	SHEET 1