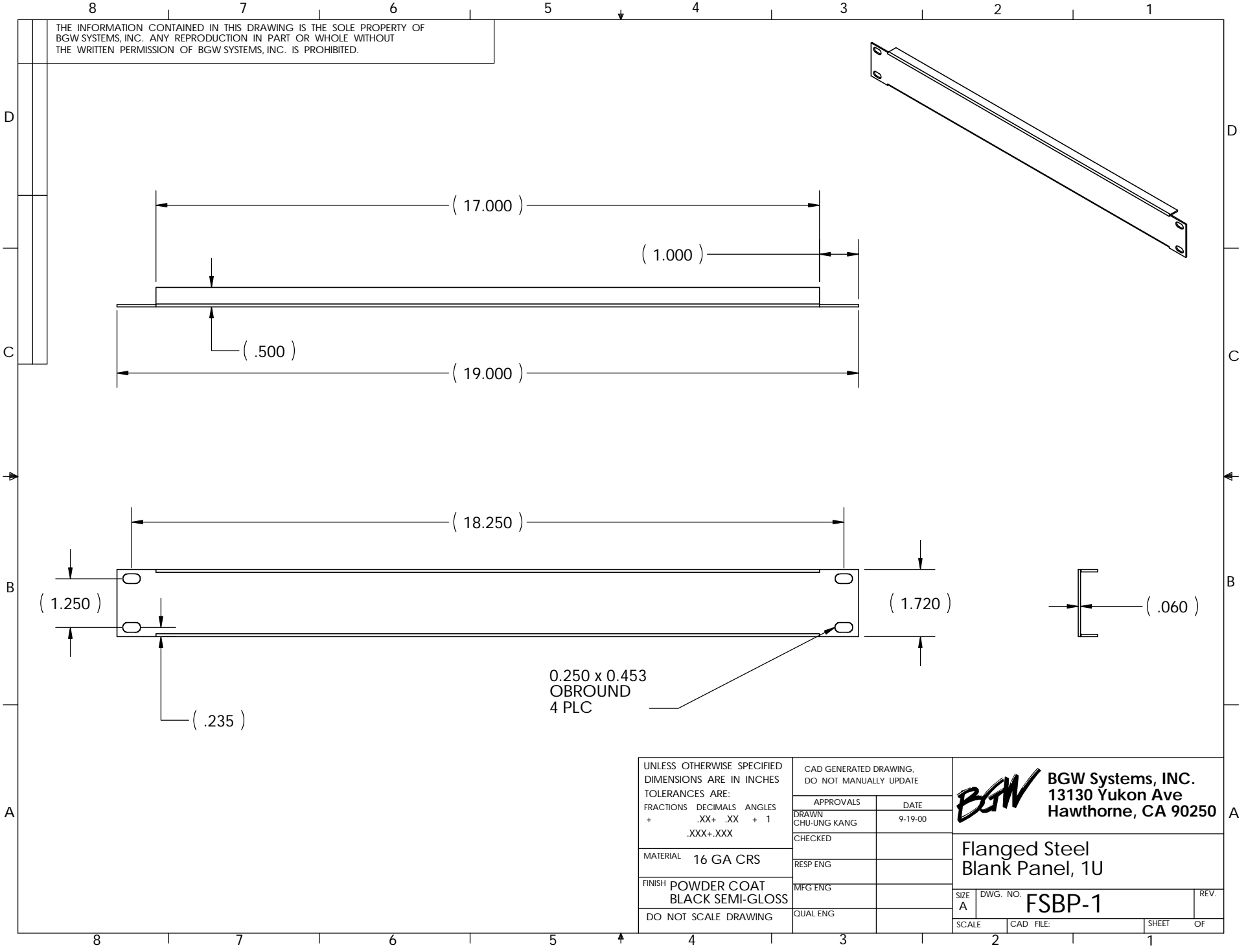


THE INFORMATION CONTAINED IN THIS DRAWING IS THE SOLE PROPERTY OF
 BGW SYSTEMS, INC. ANY REPRODUCTION IN PART OR WHOLE WITHOUT
 THE WRITTEN PERMISSION OF BGW SYSTEMS, INC. IS PROHIBITED.



0.250 x 0.453
 OBROUND
 4 PLC

UNLESS OTHERWISE SPECIFIED DIMENSIONS ARE IN INCHES TOLERANCES ARE: FRACTIONS DECIMALS ANGLES + .XX+ .XX + 1 .XXX+.XXX	CAD GENERATED DRAWING, DO NOT MANUALLY UPDATE		BGW BGW Systems, INC. 13130 Yukon Ave Hawthorne, CA 90250	
	APPROVALS	DATE		
	MATERIAL 16 GA CRS	DRAWN CHU-UNG KANG	9-19-00	Flanged Steel Blank Panel, 1U
	FINISH POWDER COAT BLACK SEMI-GLOSS	CHECKED		
DO NOT SCALE DRAWING	RESP ENG		SIZE A DWG. NO. FSBP-1 REV.	
	MFG ENG		SCALE	
	QUAL ENG		CAD FILE:	
			SHEET OF	