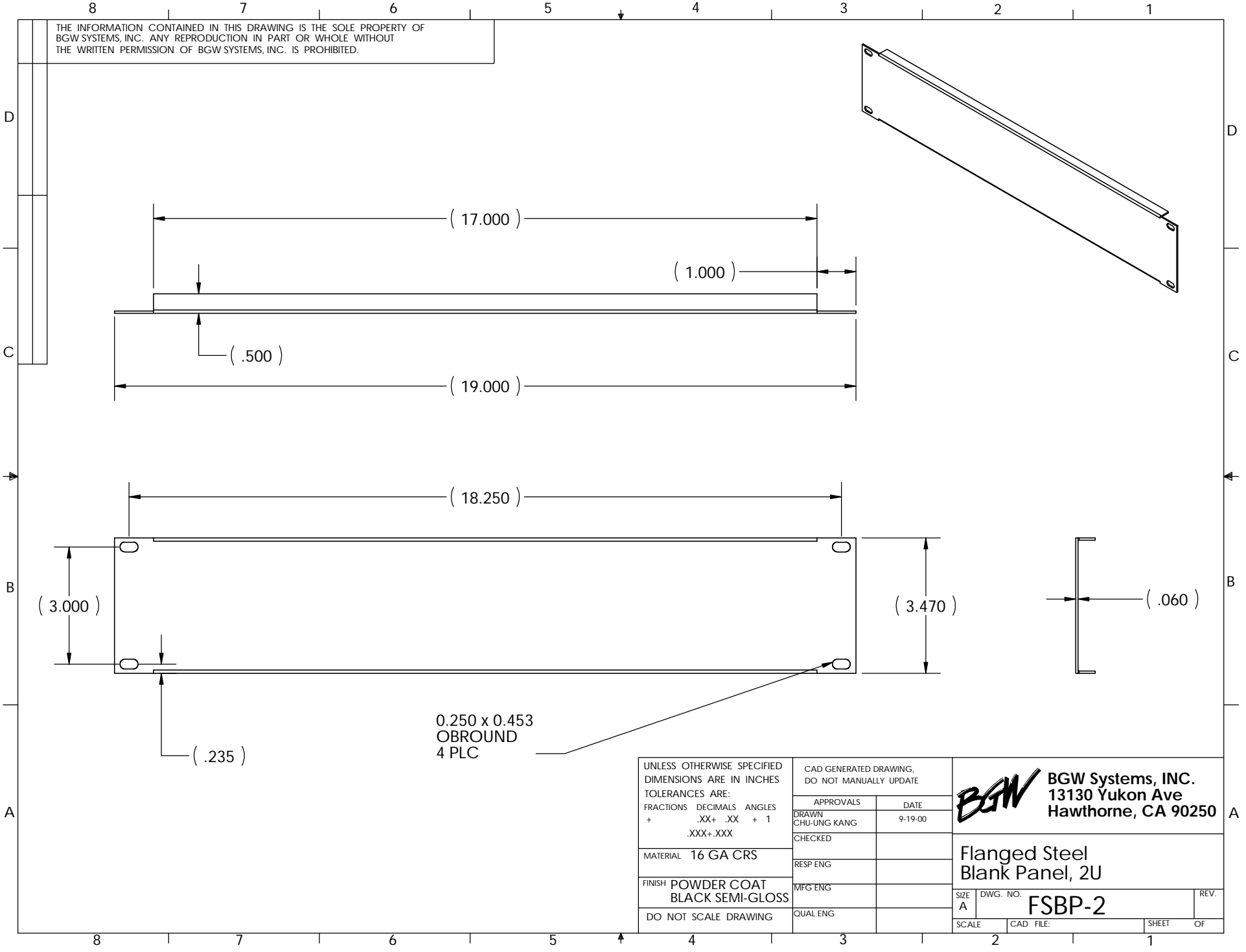



THE INFORMATION CONTAINED IN THIS DRAWING IS THE SOLE PROPERTY OF  
 BGW SYSTEMS, INC. ANY REPRODUCTION IN PART OR WHOLE WITHOUT  
 THE WRITTEN PERMISSION OF BGW SYSTEMS, INC. IS PROHIBITED.



0.250 x 0.453  
 OBROUND  
 4 PLC

UNLESS OTHERWISE SPECIFIED DIMENSIONS ARE IN INCHES TOLERANCES ARE: FRACTIONS DECIMALS ANGLES + .XX+ .XX + 1 .XXX+.XXX		CAD GENERATED DRAWING, DO NOT MANUALLY UPDATE	
MATERIAL 16 GA CRS		APPROVALS	DATE
FINISH POWDER COAT BLACK SEMI-GLOSS		DRAWN CHU-UNG KANG	9-19-00
DO NOT SCALE DRAWING		CHECKED	
		RESP ENG	
		MFG ENG	
		QUAL ENG	

 <b>BGW Systems, INC.</b> 13130 Yukon Ave Hawthorne, CA 90250		SIZE	DWG. NO.	REV.
		A	<b>FSBP-2</b>	
SCALE	CAD FILE:	SHEET		OF
		2		1