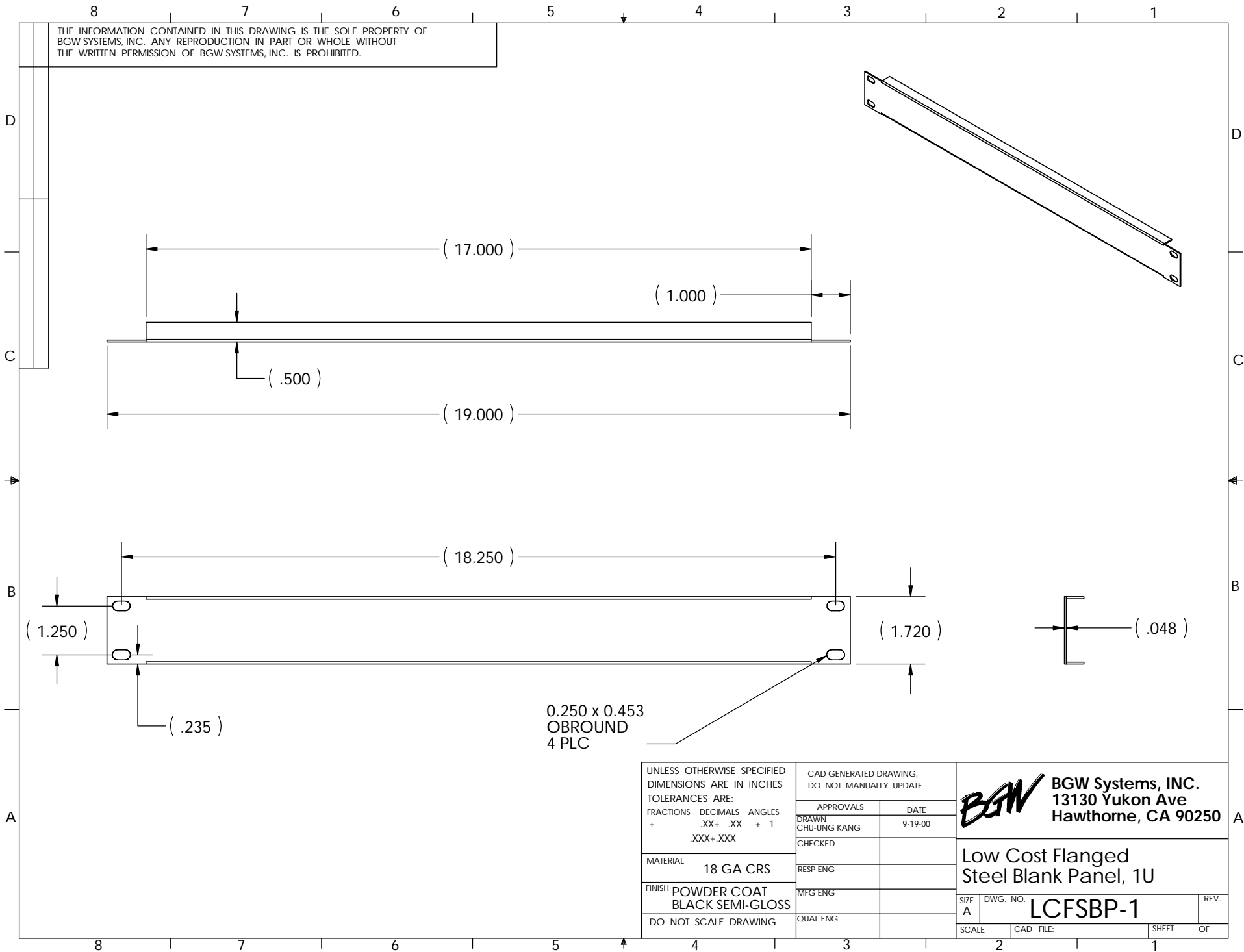


THE INFORMATION CONTAINED IN THIS DRAWING IS THE SOLE PROPERTY OF
 BGW SYSTEMS, INC. ANY REPRODUCTION IN PART OR WHOLE WITHOUT
 THE WRITTEN PERMISSION OF BGW SYSTEMS, INC. IS PROHIBITED.



UNLESS OTHERWISE SPECIFIED DIMENSIONS ARE IN INCHES TOLERANCES ARE: FRACTIONS DECIMALS ANGLES + .XX+ .XX + 1 .XXX+.XXX	CAD GENERATED DRAWING, DO NOT MANUALLY UPDATE		BGW BGW Systems, INC. 13130 Yukon Ave Hawthorne, CA 90250	
	APPROVALS	DATE		
	MATERIAL	18 GA CRS	RESP ENG	Low Cost Flanged Steel Blank Panel, 1U
	FINISH	POWDER COAT BLACK SEMI-GLOSS	MFG ENG	
DO NOT SCALE DRAWING	QUAL ENG		SIZE A DWG. NO. LCFSBP-1 REV.	
SCALE		CAD FILE:	SHEET OF	