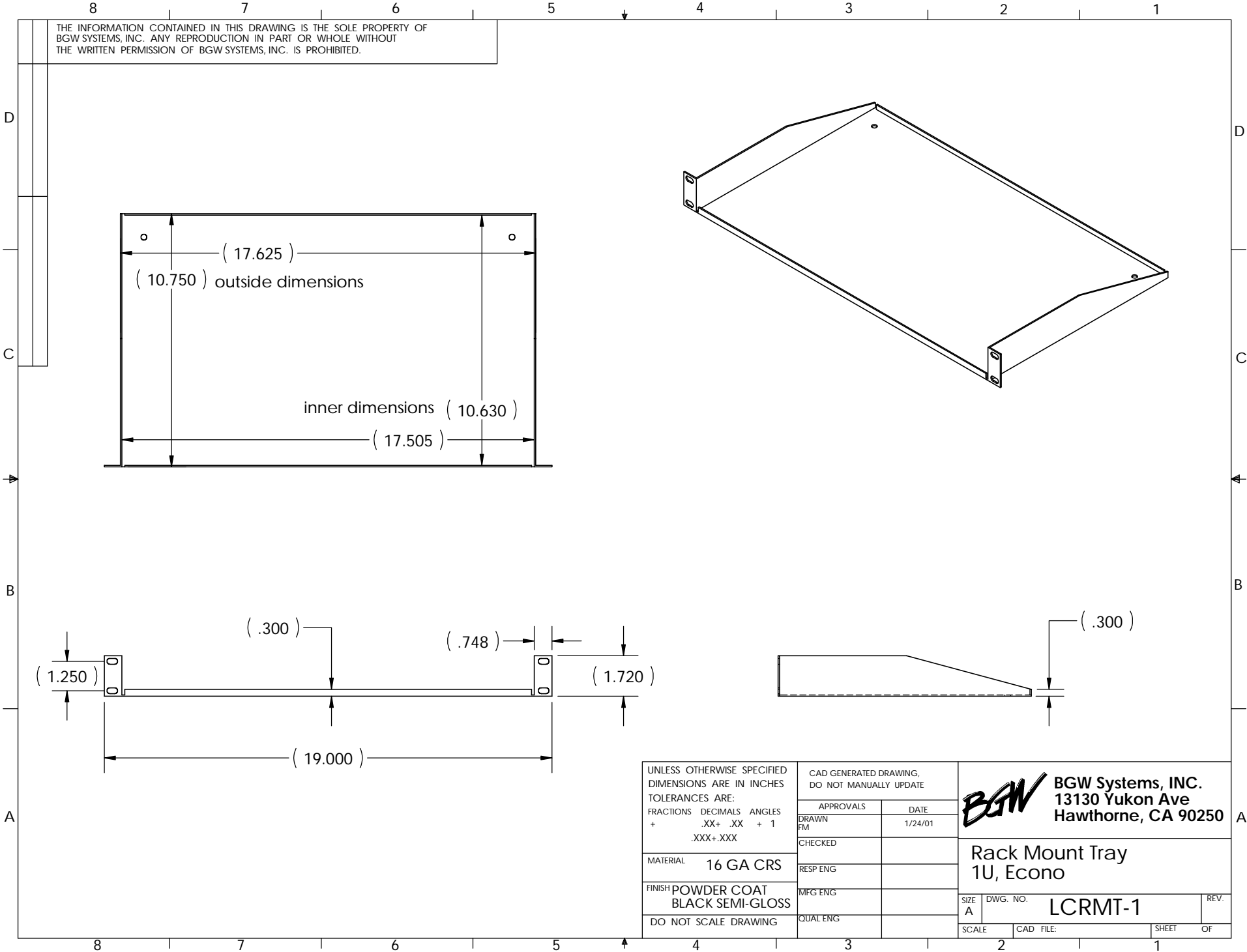


THE INFORMATION CONTAINED IN THIS DRAWING IS THE SOLE PROPERTY OF
 BGW SYSTEMS, INC. ANY REPRODUCTION IN PART OR WHOLE WITHOUT
 THE WRITTEN PERMISSION OF BGW SYSTEMS, INC. IS PROHIBITED.



UNLESS OTHERWISE SPECIFIED DIMENSIONS ARE IN INCHES TOLERANCES ARE: FRACTIONS DECIMALS ANGLES + .XX+ .XX + 1 .XXX+.XXX	CAD GENERATED DRAWING, DO NOT MANUALLY UPDATE		BGW Systems, INC. 13130 Yukon Ave Hawthorne, CA 90250			
	APPROVALS DRAWN FM	DATE 1/24/01		Rack Mount Tray 1U, Econo		
	CHECKED		SIZE A		DWG. NO. LCRMT-1	REV.
	MATERIAL 16 GA CRS	RESP ENG	MFG ENG		SCALE	CAD FILE:
DO NOT SCALE DRAWING	QUAL ENG		2	1	1	