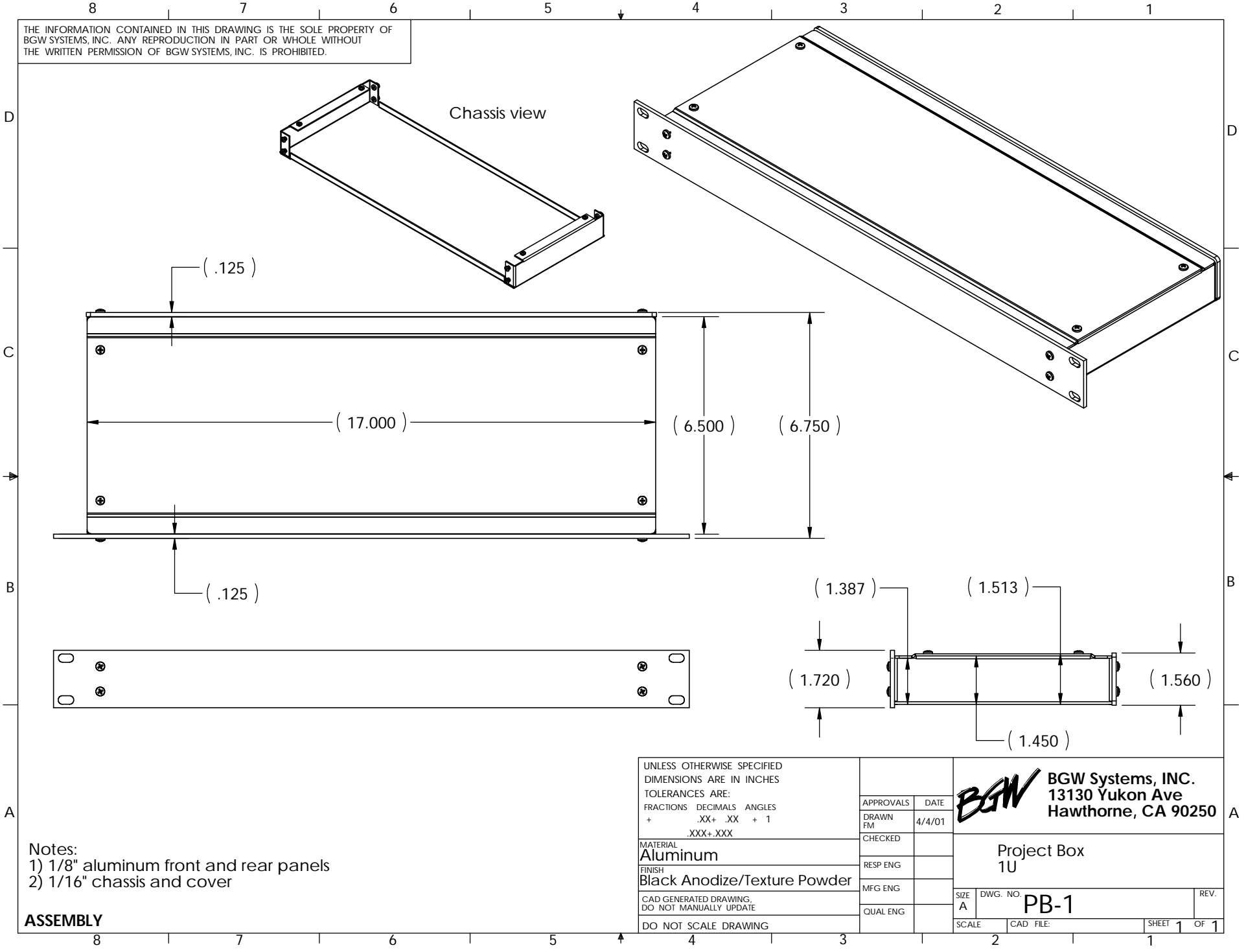


THE INFORMATION CONTAINED IN THIS DRAWING IS THE SOLE PROPERTY OF BGW SYSTEMS, INC. ANY REPRODUCTION IN PART OR WHOLE WITHOUT THE WRITTEN PERMISSION OF BGW SYSTEMS, INC. IS PROHIBITED.



- Notes:
 1) 1/8" aluminum front and rear panels
 2) 1/16" chassis and cover

UNLESS OTHERWISE SPECIFIED DIMENSIONS ARE IN INCHES TOLERANCES ARE: FRACTIONS DECIMALS ANGLES + .XX+ .XX + 1 .XXX+ .XXX	APPROVALS	DATE	BGW Systems, INC. 13130 Yukon Ave Hawthorne, CA 90250		
	DRAWN FM	4/4/01			
	CHECKED				
	RESP ENG				
MATERIAL Aluminum			Project Box 1U		
FINISH Black Anodize/Texture Powder					
CAD GENERATED DRAWING, DO NOT MANUALLY UPDATE	MFG ENG		SIZE A	DWG. NO PB-1	REV.
DO NOT SCALE DRAWING	QUAL ENG		SCALE	CAD FILE:	SHEET 1 OF 1

ASSEMBLY