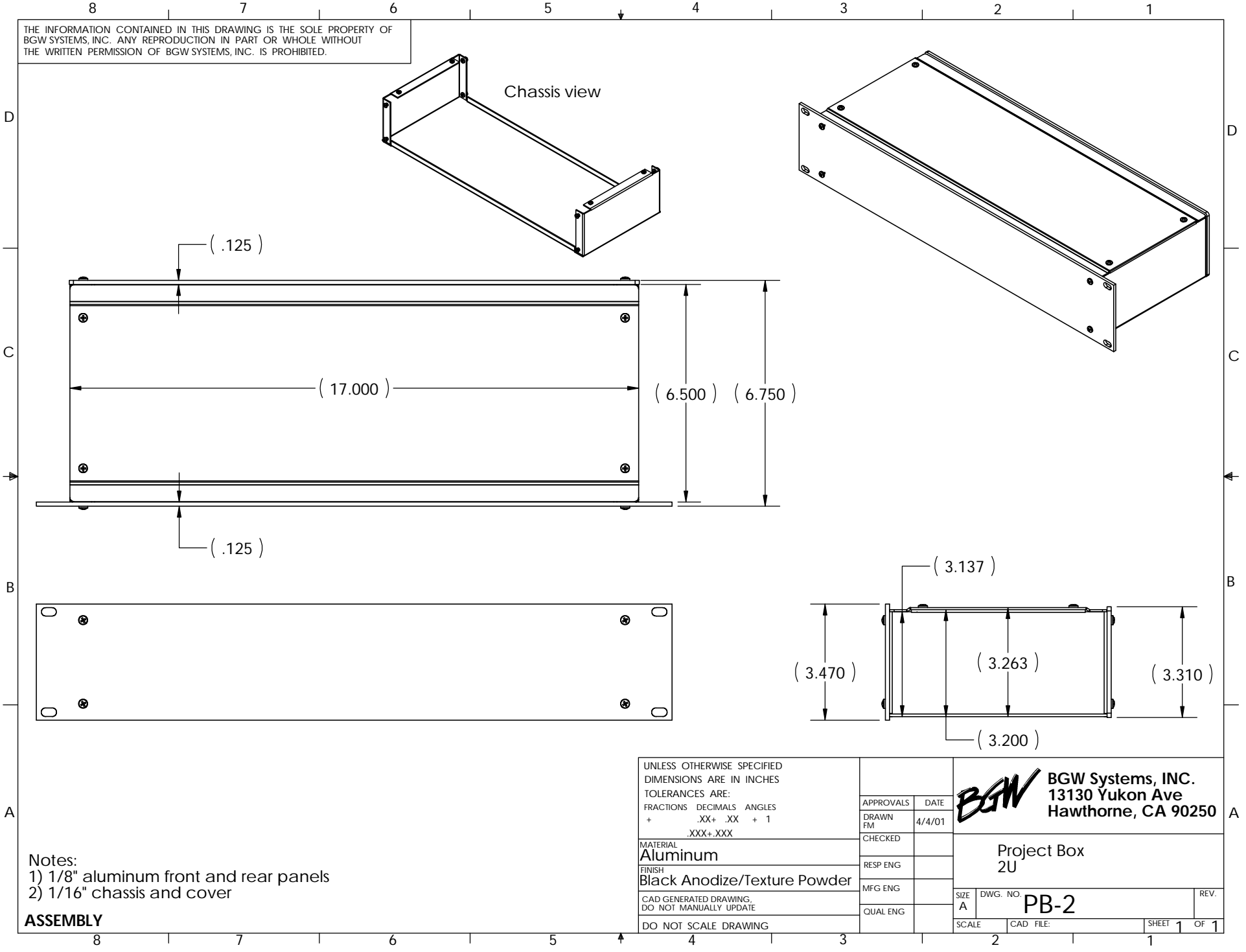


THE INFORMATION CONTAINED IN THIS DRAWING IS THE SOLE PROPERTY OF BGW SYSTEMS, INC. ANY REPRODUCTION IN PART OR WHOLE WITHOUT THE WRITTEN PERMISSION OF BGW SYSTEMS, INC. IS PROHIBITED.



- Notes:
 1) 1/8" aluminum front and rear panels
 2) 1/16" chassis and cover

ASSEMBLY

UNLESS OTHERWISE SPECIFIED
 DIMENSIONS ARE IN INCHES
 TOLERANCES ARE:
 FRACTIONS DECIMALS ANGLES
 + .XX+ .XX + 1
 .XXX+ .XXX

MATERIAL
Aluminum

FINISH
Black Anodize/Texture Powder

CAD GENERATED DRAWING,
 DO NOT MANUALLY UPDATE

DO NOT SCALE DRAWING

| | |
|-------------|--------|
| APPROVALS | DATE |
| DRAWN FM | 4/4/01 |
| CHECKED | |
| RESP ENG | |
| MFG ENG | |
| QUAL ENG | |

BGW BGW Systems, INC.
 13130 Yukon Ave
 Hawthorne, CA 90250

Project Box
 2U

SIZE A DWG. NO. **PB-2** REV.

SCALE CAD FILE: SHEET 1 OF 1