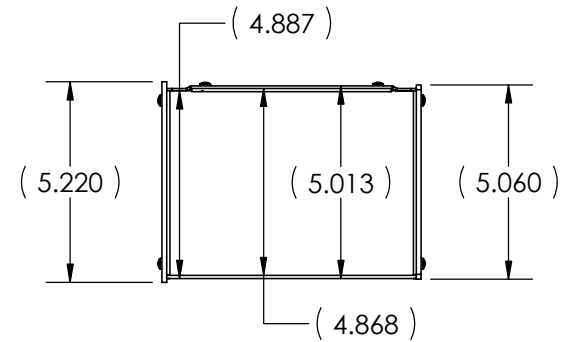
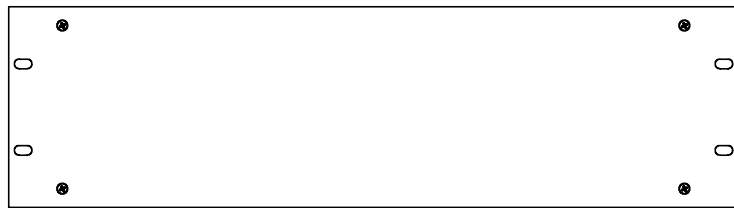
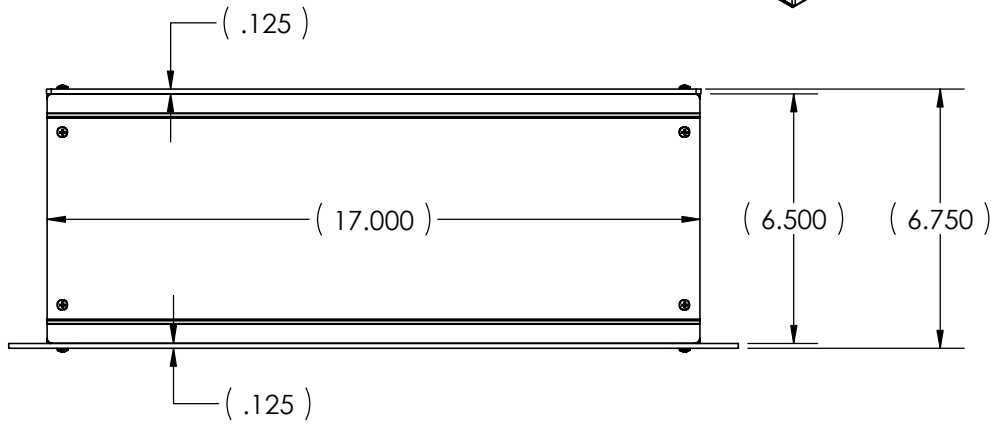
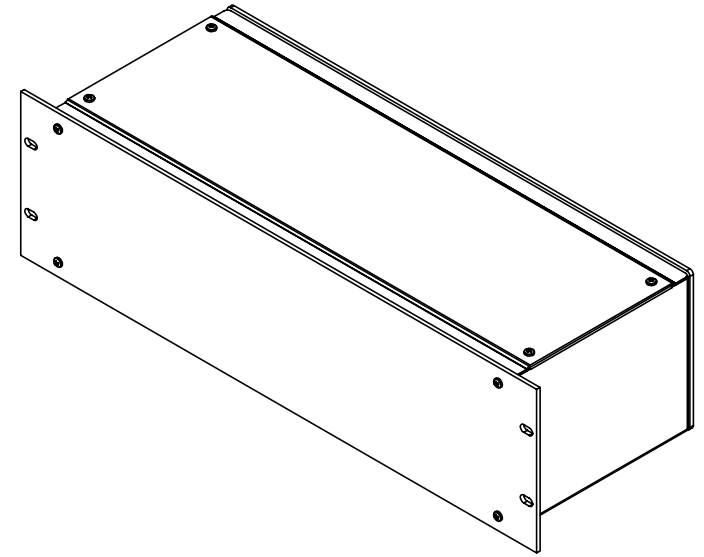
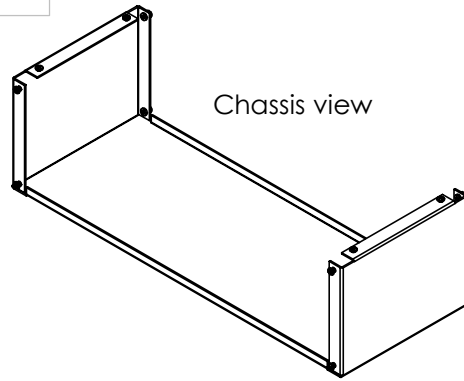


THE INFORMATION CONTAINED IN THIS DRAWING IS THE SOLE PROPERTY OF BGW SYSTEMS, INC. ANY REPRODUCTION IN PART OR WHOLE WITHOUT THE WRITTEN PERMISSION OF BGW SYSTEMS, INC. IS PROHIBITED.



- Notes:
 1) 1/8" aluminum front and rear panels
 2) 1/16" chassis and cover

ASSEMBLY

UNLESS OTHERWISE SPECIFIED
 DIMENSIONS ARE IN INCHES
 TOLERANCES ARE:
 FRACTIONS DECIMALS ANGLES
 + .XX+ .XX + 1
 .XXX+.XXX

MATERIAL
Aluminum
 FINISH
Black anodize/Texture Powder
 CAD GENERATED DRAWING,
 DO NOT MANUALLY UPDATE
 DO NOT SCALE DRAWING

APPROVALS	DATE
DRAWN FM	10/8/02
CHECKED	
RESP ENG	
MFG ENG	
QUAL ENG	

BGW BGW Systems, INC.
 13130 Yukon Ave
 Hawthorne, CA 90250

Project Box
 3U

SIZE A	DWG. NO. PB-3	REV.
SCALE	CAD FILE:	SHEET 1 OF 1