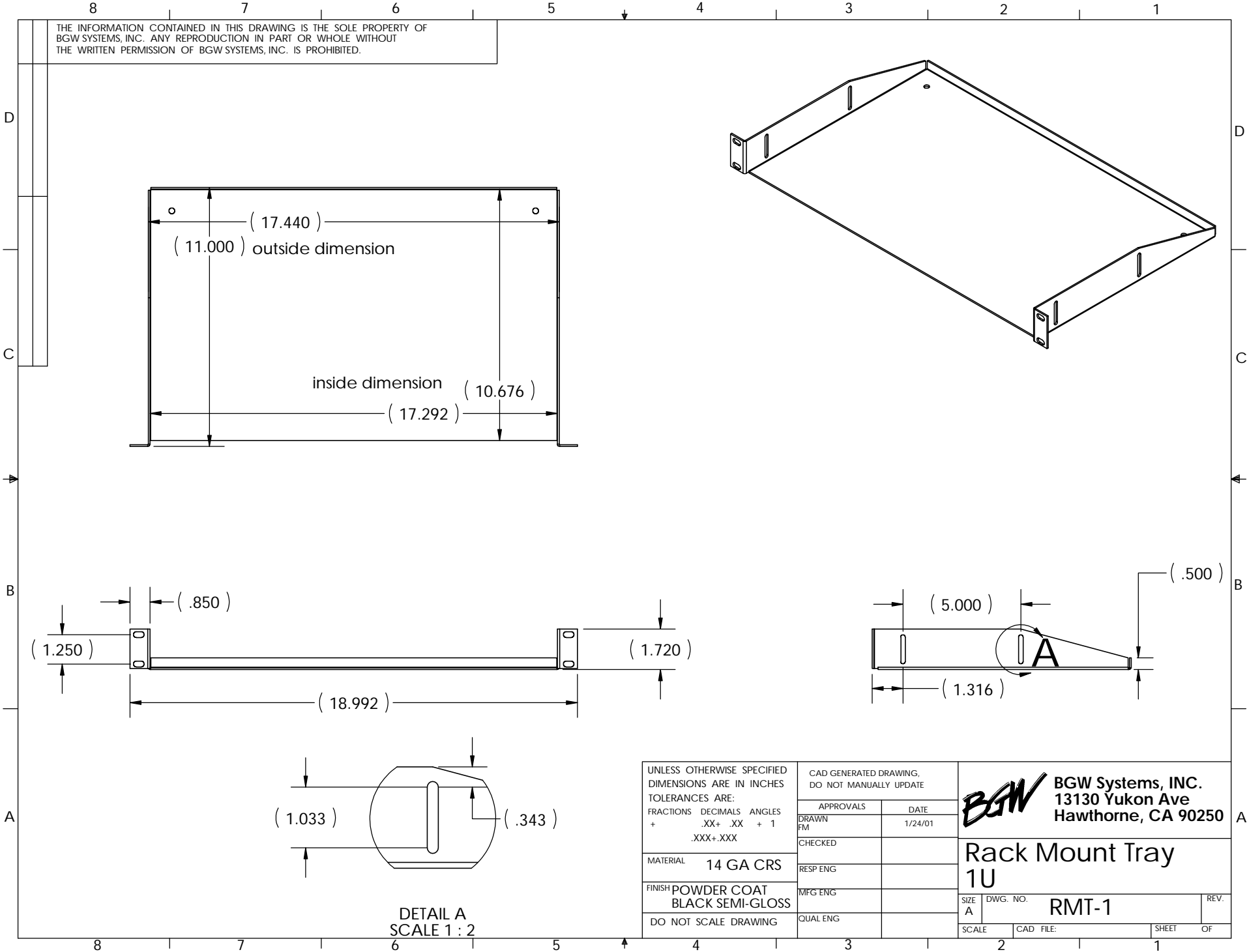


THE INFORMATION CONTAINED IN THIS DRAWING IS THE SOLE PROPERTY OF  
 BGW SYSTEMS, INC. ANY REPRODUCTION IN PART OR WHOLE WITHOUT  
 THE WRITTEN PERMISSION OF BGW SYSTEMS, INC. IS PROHIBITED.



UNLESS OTHERWISE SPECIFIED DIMENSIONS ARE IN INCHES TOLERANCES ARE: FRACTIONS    DECIMALS    ANGLES +                .XX+ .XX    + 1 .XXX+.XXX	CAD GENERATED DRAWING, DO NOT MANUALLY UPDATE	
	APPROVALS	DATE
	DRAWN FM	1/24/01
	CHECKED	
MATERIAL    14 GA CRS	RESP ENG	
FINISH POWDER COAT BLACK SEMI-GLOSS	MFG ENG	
DO NOT SCALE DRAWING	QUAL ENG	

**BGW** BGW Systems, INC.  
 13130 Yukon Ave  
 Hawthorne, CA 90250

**Rack Mount Tray  
 1U**

SIZE A	DWG. NO. RMT-1	REV.
SCALE	CAD FILE:	SHEET OF