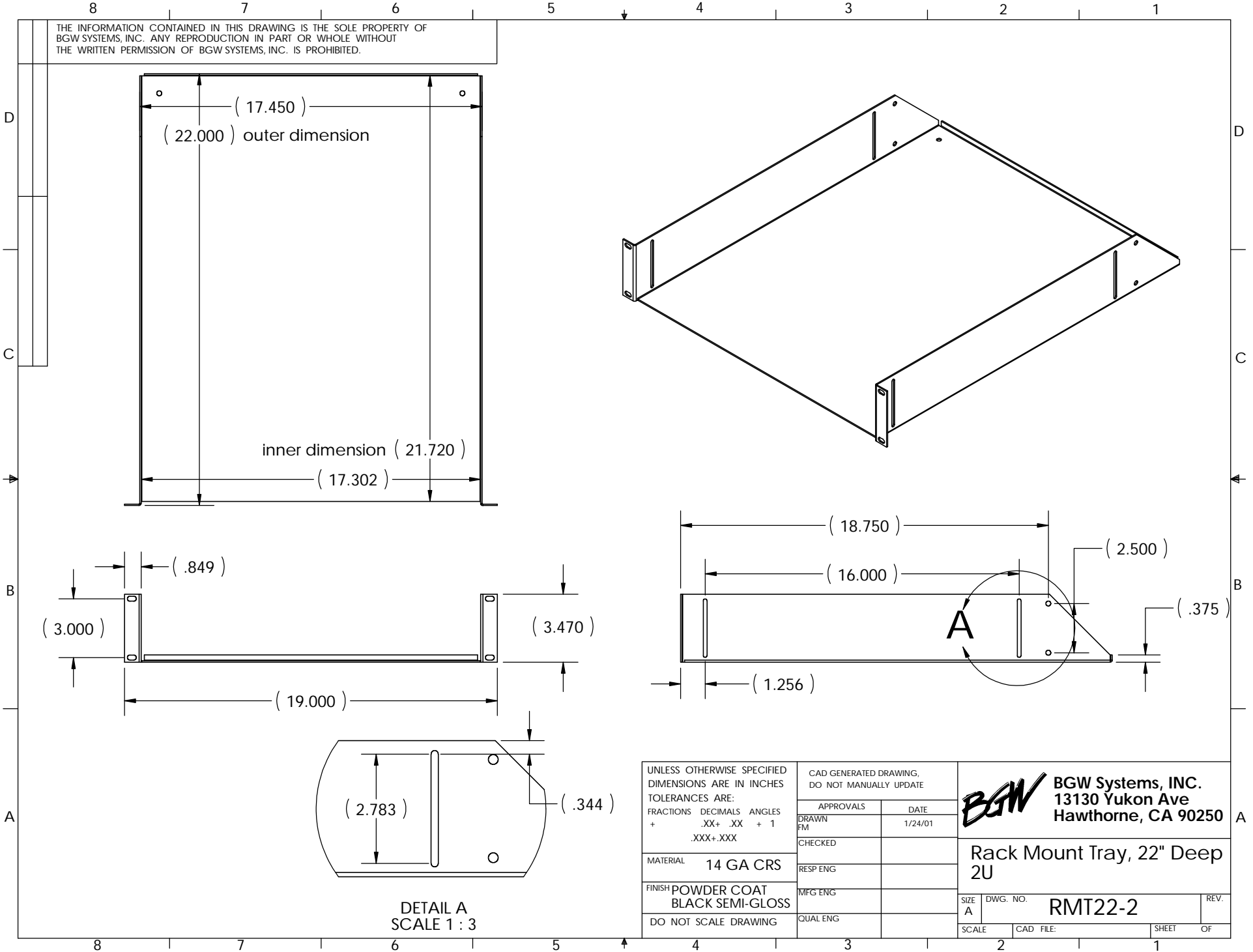



THE INFORMATION CONTAINED IN THIS DRAWING IS THE SOLE PROPERTY OF  
 BGW SYSTEMS, INC. ANY REPRODUCTION IN PART OR WHOLE WITHOUT  
 THE WRITTEN PERMISSION OF BGW SYSTEMS, INC. IS PROHIBITED.



UNLESS OTHERWISE SPECIFIED DIMENSIONS ARE IN INCHES TOLERANCES ARE: FRACTIONS    DECIMALS    ANGLES +                .XX+ .XX    + 1 .XXX+ .XXX	CAD GENERATED DRAWING, DO NOT MANUALLY UPDATE		 <b>BGW Systems, INC.</b> 13130 Yukon Ave Hawthorne, CA 90250
	APPROVALS	DATE	
	DRAWN FM	1/24/01	
	CHECKED		
MATERIAL    14 GA CRS	RESP ENG		<b>Rack Mount Tray, 22" Deep          2U</b>
FINISH <b>POWDER COAT BLACK SEMI-GLOSS</b>	MFG ENG		
DO NOT SCALE DRAWING	QUAL ENG		SIZE A    DWG. NO. <b>RMT22-2</b> REV.
SCALE		CAD FILE:	SHEET OF

DETAIL A  
 SCALE 1 : 3