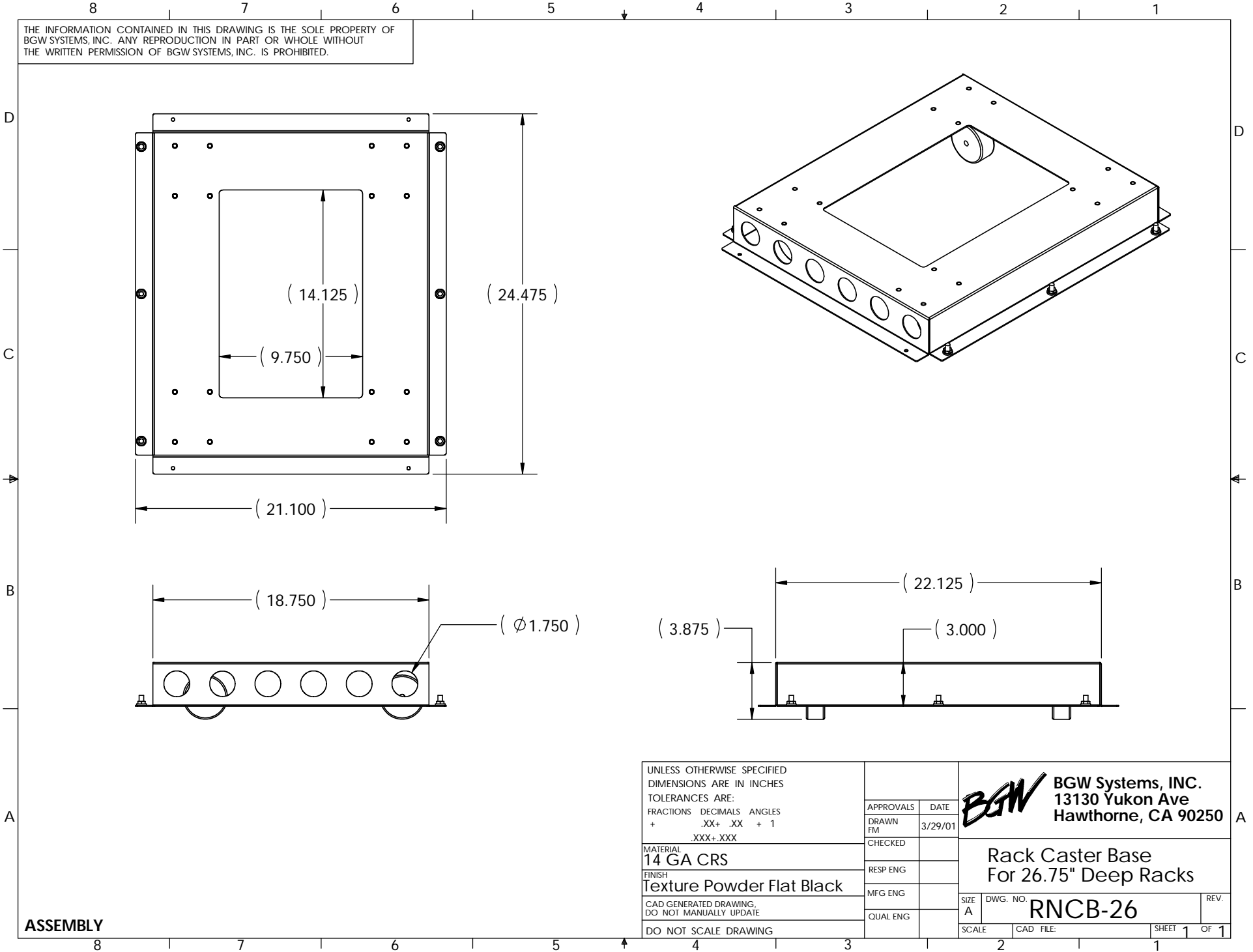


THE INFORMATION CONTAINED IN THIS DRAWING IS THE SOLE PROPERTY OF BGW SYSTEMS, INC. ANY REPRODUCTION IN PART OR WHOLE WITHOUT THE WRITTEN PERMISSION OF BGW SYSTEMS, INC. IS PROHIBITED.



UNLESS OTHERWISE SPECIFIED  
 DIMENSIONS ARE IN INCHES  
 TOLERANCES ARE:  
 FRACTIONS DECIMALS ANGLES  
 + .XX+ .XX + 1  
 .XXX+ .XXX

MATERIAL  
**14 GA CRS**

FINISH  
**Texture Powder Flat Black**

CAD GENERATED DRAWING,  
 DO NOT MANUALLY UPDATE

DO NOT SCALE DRAWING

APPROVALS	DATE
DRAWN FM	3/29/01
CHECKED	
RESP ENG	
MFG ENG	
QUAL ENG	

**BGW** BGW Systems, INC.  
 13130 Yukon Ave  
 Hawthorne, CA 90250

Rack Caster Base  
 For 26.75" Deep Racks

SIZE A DWG. NO. **RNCB-26** REV.

SCALE CAD FILE: SHEET 1 OF 1

ASSEMBLY