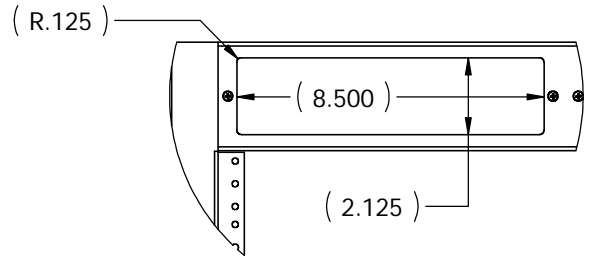


Top

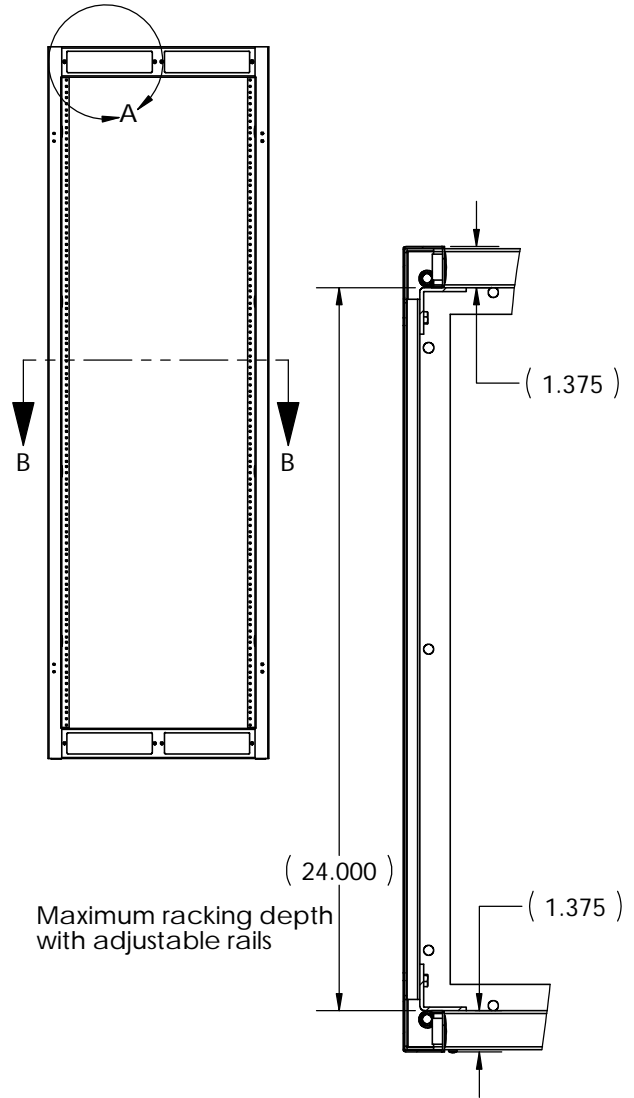
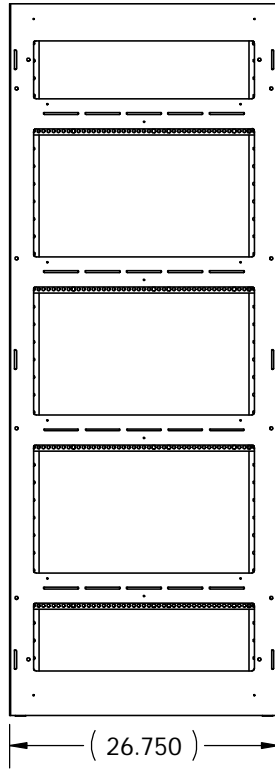
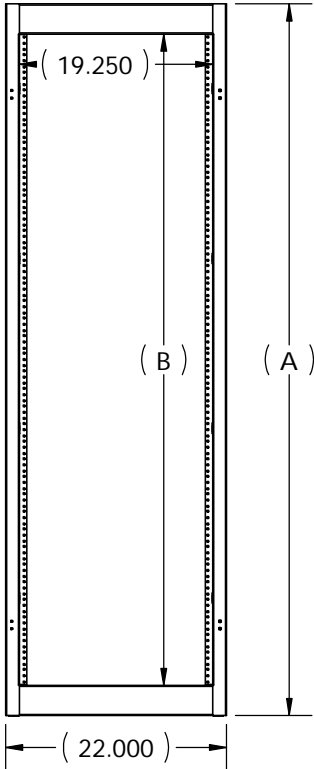


DETAIL A
SCALE 1 : 5

Front

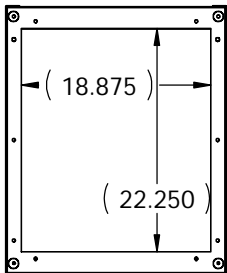
Side

Rear



Maximum racking depth with adjustable rails

SECTION B-B
SCALE 1 : 6



Bottom

Model	A	B
RN24-26	See RN24-26 Drawing	
RN37-26	70.875	64.875
RN40-26	76.125	70.125
RN44-26	83.125	77.125

BGW BGW Systems, INC.
13130 Yukon Ave
Hawthorne, CA 90250

RN Series Rack RN37-26, RN40-26, RN44-26 24" Racking Depth			REV.
SIZE	DWG. NO.		
A	RNxx-26		
SCALE: 1:18	WEIGHT:	SHEET 1 OF 1	

DIMENSIONS ARE IN INCHES
TOLERANCES:
FRACTIONAL ±
ANGULAR: MACH ± BEND ±
TWO PLACE DECIMAL ±
THREE PLACE DECIMAL ±

MATERIAL
CRS
FINISH
Texture Powder Flat Black
DO NOT SCALE DRAWING

	NAME	DATE
DRAWN	FM	4/5/01
CHECKED		
ENG APPR.		
MFG APPR.		
Q.A.		

ASSEMBLY