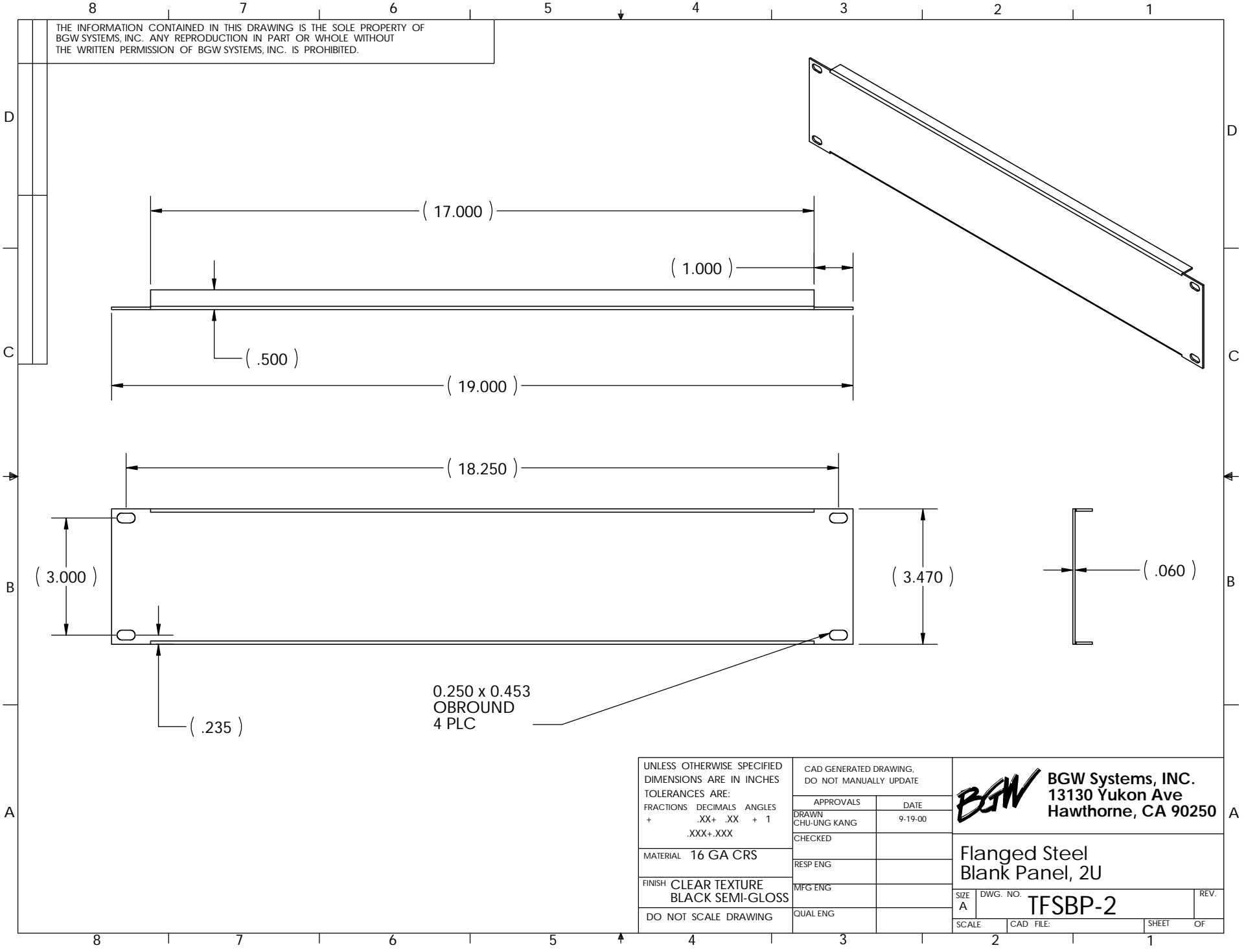


THE INFORMATION CONTAINED IN THIS DRAWING IS THE SOLE PROPERTY OF  
 BGW SYSTEMS, INC. ANY REPRODUCTION IN PART OR WHOLE WITHOUT  
 THE WRITTEN PERMISSION OF BGW SYSTEMS, INC. IS PROHIBITED.



0.250 x 0.453  
 OBROUND  
 4 PLC

UNLESS OTHERWISE SPECIFIED DIMENSIONS ARE IN INCHES TOLERANCES ARE: FRACTIONS    DECIMALS    ANGLES +                .XX+ .XX    + 1 .XXX+.XXX		CAD GENERATED DRAWING, DO NOT MANUALLY UPDATE		<b>BGW</b> BGW Systems, INC. 13130 Yukon Ave Hawthorne, CA 90250	A
APPROVALS		DATE			
DRAWN CHU-UNG KANG		9-19-00		Flanged Steel Blank Panel, 2U	
CHECKED					
MATERIAL 16 GA CRS		RESP ENG		SIZE A    DWG. NO. <b>TFSBP-2</b> REV.	
FINISH CLEAR TEXTURE BLACK SEMI-GLOSS		MFG ENG			
DO NOT SCALE DRAWING		QUAL ENG		SCALE    CAD FILE:    SHEET OF	