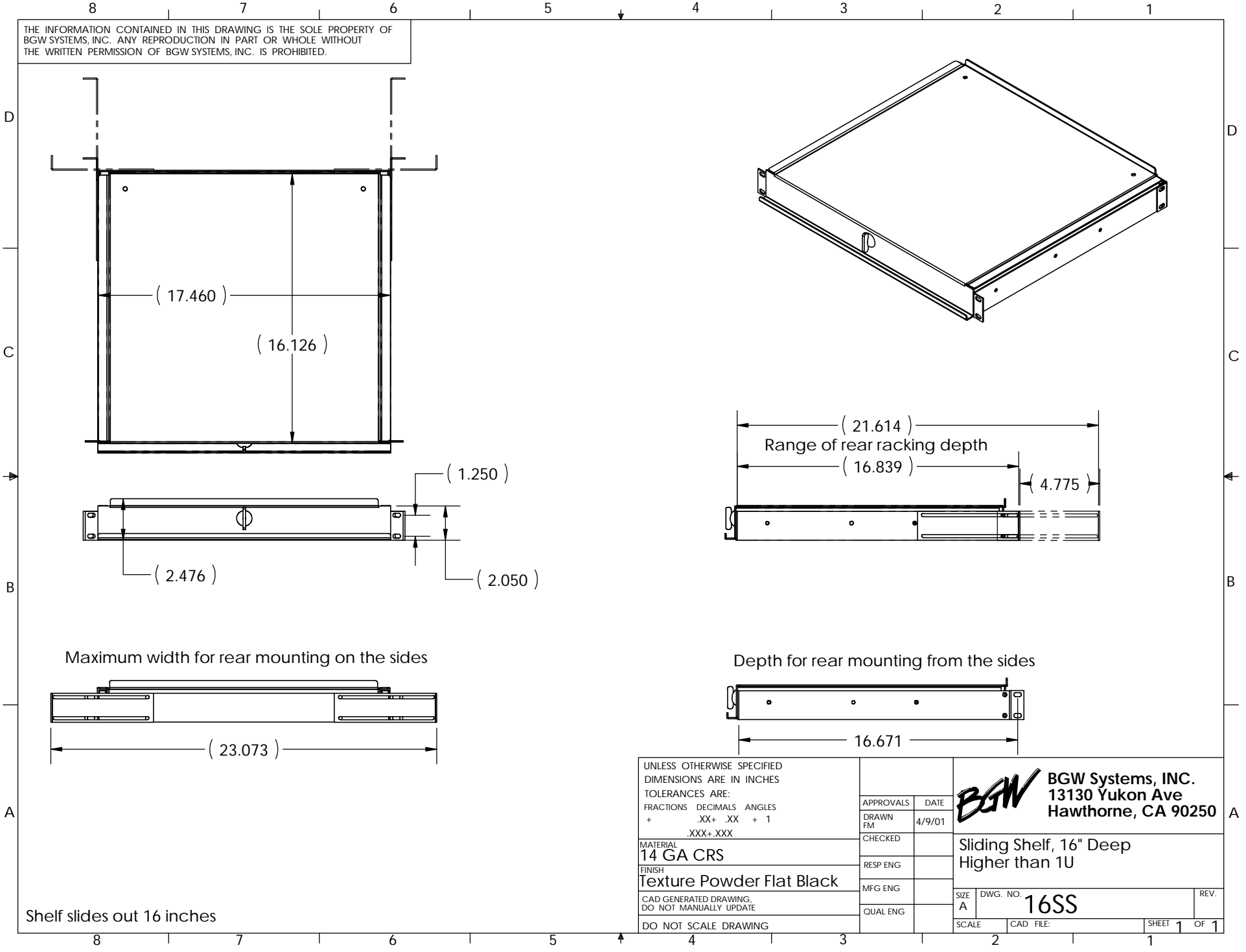


THE INFORMATION CONTAINED IN THIS DRAWING IS THE SOLE PROPERTY OF BGW SYSTEMS, INC. ANY REPRODUCTION IN PART OR WHOLE WITHOUT THE WRITTEN PERMISSION OF BGW SYSTEMS, INC. IS PROHIBITED.



Shelf slides out 16 inches

UNLESS OTHERWISE SPECIFIED DIMENSIONS ARE IN INCHES TOLERANCES ARE: FRACTIONS DECIMALS ANGLES + .XX+ .XX + 1 .XXX+ .XXX		APPROVALS	DATE	<b>BGW Systems, INC.</b> 13130 Yukon Ave Hawthorne, CA 90250
MATERIAL	14 GA CRS	DRAWN	4/9/01	
FINISH	Texture Powder Flat Black	CHECKED		
CAD GENERATED DRAWING, DO NOT MANUALLY UPDATE		RESP ENG		
DO NOT SCALE DRAWING		MFG ENG		Sliding Shelf, 16" Deep Higher than 1U
		QUAL ENG		SIZE A DWG. NO. <b>16SS</b> REV.
				SCALE CAD FILE: SHEET 1 OF 1