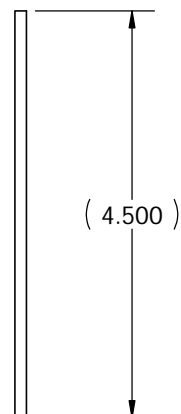
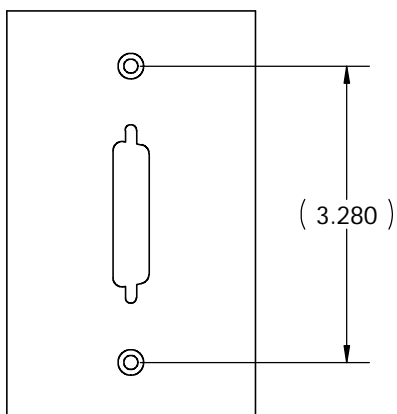
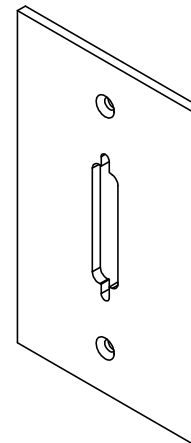
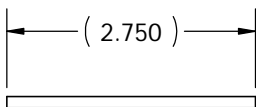



THE INFORMATION CONTAINED IN THIS DRAWING IS THE SOLE PROPERTY OF
 BGW SYSTEMS, INC. ANY REPRODUCTION IN PART OR WHOLE WITHOUT
 THE WRITTEN PERMISSION OF BGW SYSTEMS, INC. IS PROHIBITED.



UNLESS OTHERWISE SPECIFIED DIMENSIONS ARE IN INCHES TOLERANCES ARE: FRACTIONS DECIMALS ANGLES + .XX+ .XX + 1 .XXX+.XXX	CAD GENERATED DRAWING, DO NOT MANUALLY UPDATE		 BGW Systems, INC. 13130 Yukon Ave Hawthorne, CA 90250		
	APPROVALS	DATE			
	MATERIAL	DRAWN FM	3/6/01	MPS Gang Plate 1 DB25	
	1/8" aluminum	CHECKED			
FINISH	RESP ENG		SIZE A	DWG. NO. 1DB25-1G	REV.
black anodize type II	MFG ENG		SCALE	CAD FILE:	SHEET 1 OF 1
DO NOT SCALE DRAWING	QUAL ENG		2		1

