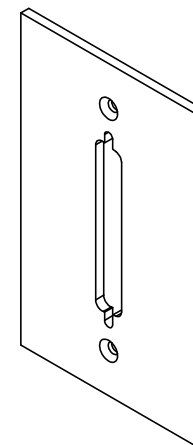
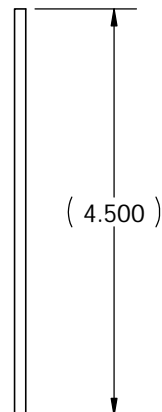
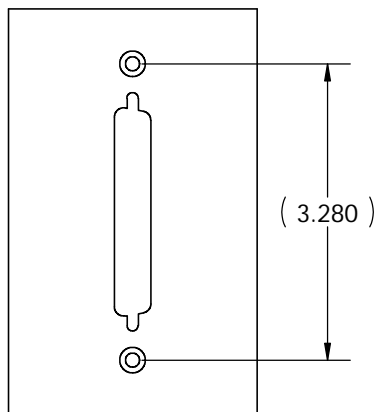
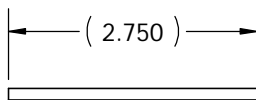



THE INFORMATION CONTAINED IN THIS DRAWING IS THE SOLE PROPERTY OF
 BGW SYSTEMS, INC. ANY REPRODUCTION IN PART OR WHOLE WITHOUT
 THE WRITTEN PERMISSION OF BGW SYSTEMS, INC. IS PROHIBITED.



UNLESS OTHERWISE SPECIFIED DIMENSIONS ARE IN INCHES TOLERANCES ARE: FRACTIONS DECIMALS ANGLES + .XX+ .XX + 1 .XXX+.XXX	CAD GENERATED DRAWING, DO NOT MANUALLY UPDATE		 BGW Systems, INC. 13130 Yukon Ave Hawthorne, CA 90250		
	APPROVALS	DATE			
	MATERIAL	CHECKED	MPS Gang Plate 1 DB37		
	FINISH	RESP ENG			
	DO NOT SCALE DRAWING	QUAL ENG			
1/8" aluminum black anodize type II	DRAWN FM	DATE 3/6/01	SIZE A	DWG. NO. 1DB37-1G	REV.
SCALE	CAD FILE:	SHEET 1	OF 1		

