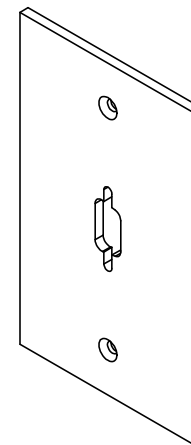
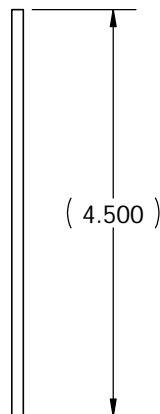
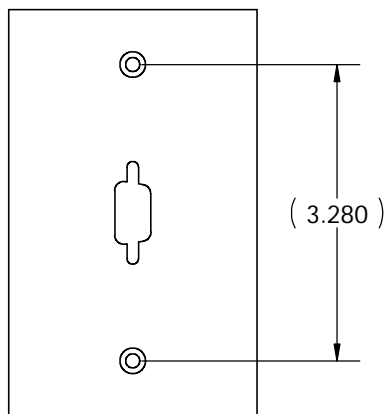
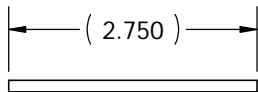



THE INFORMATION CONTAINED IN THIS DRAWING IS THE SOLE PROPERTY OF
 BGW SYSTEMS, INC. ANY REPRODUCTION IN PART OR WHOLE WITHOUT
 THE WRITTEN PERMISSION OF BGW SYSTEMS, INC. IS PROHIBITED.



UNLESS OTHERWISE SPECIFIED DIMENSIONS ARE IN INCHES TOLERANCES ARE: FRACTIONS DECIMALS ANGLES + .XX+ .XX + 1 .XXX+.XXX	CAD GENERATED DRAWING, DO NOT MANUALLY UPDATE		 BGW Systems, INC. 13130 Yukon Ave Hawthorne, CA 90250		
	APPROVALS DRAWN FM	DATE 3/6/01		MPS Gang Plate 1 DE9	
	CHECKED RESP ENG		SIZE A		DWG. NO. 1DE09-1G
	MATERIAL 1/8" aluminum	MFG ENG		SCALE 2	CAD FILE:
FINISH black anodize type II	QUAL ENG				
DO NOT SCALE DRAWING					

