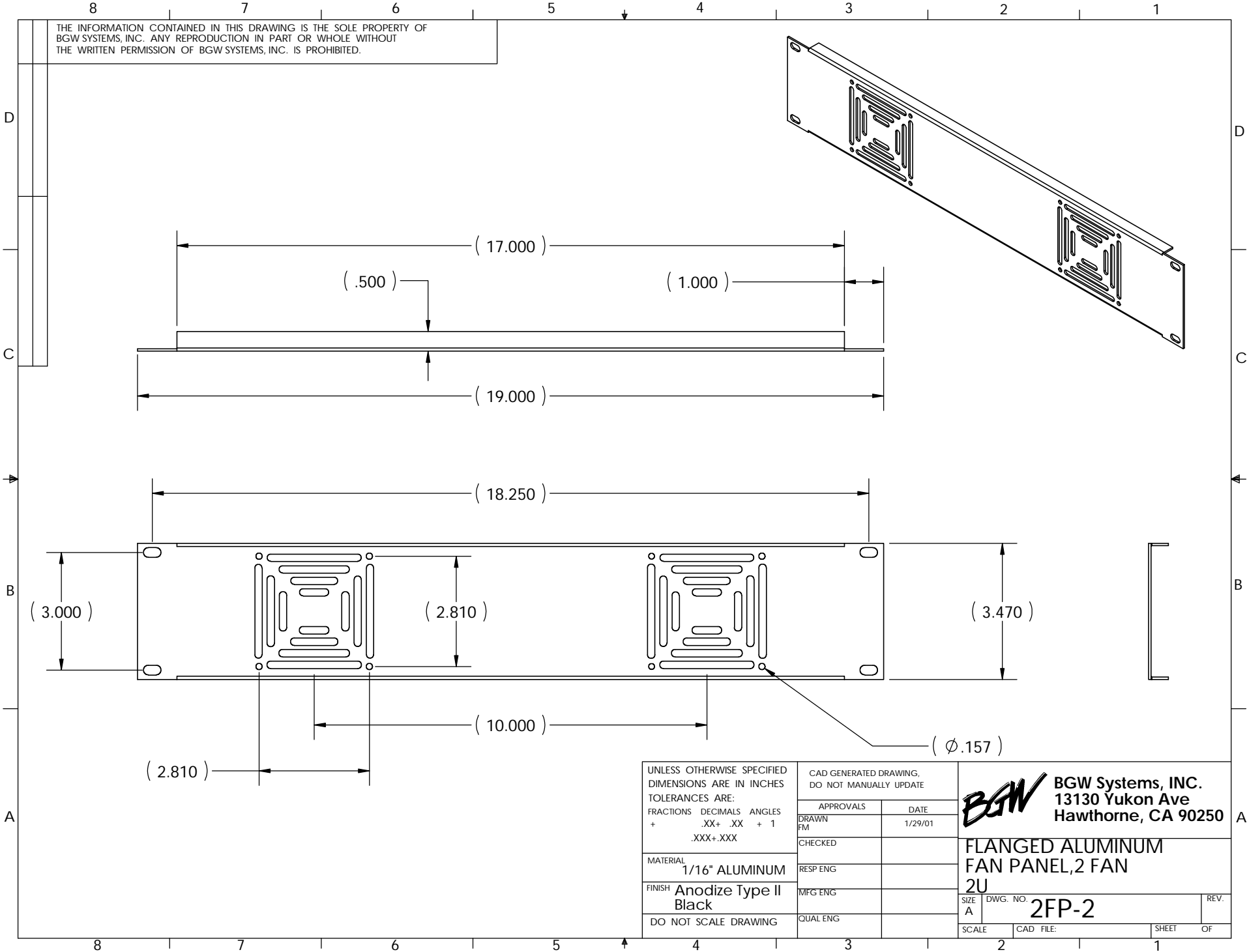



THE INFORMATION CONTAINED IN THIS DRAWING IS THE SOLE PROPERTY OF
 BGW SYSTEMS, INC. ANY REPRODUCTION IN PART OR WHOLE WITHOUT
 THE WRITTEN PERMISSION OF BGW SYSTEMS, INC. IS PROHIBITED.



UNLESS OTHERWISE SPECIFIED DIMENSIONS ARE IN INCHES TOLERANCES ARE: FRACTIONS DECIMALS ANGLES + .XX+ .XX + 1 .XXX+.XXX	CAD GENERATED DRAWING, DO NOT MANUALLY UPDATE		 BGW Systems, INC. 13130 Yukon Ave Hawthorne, CA 90250	
	APPROVALS DRAWN FM	DATE 1/29/01		FLANGED ALUMINUM FAN PANEL, 2 FAN 2U
	CHECKED		SIZE A	
	MATERIAL 1/16" ALUMINUM	RESP ENG	DWG. NO. 2FP-2	
FINISH Anodize Type II Black	MFG ENG	QUAL ENG	REV.	
DO NOT SCALE DRAWING	SCALE	CAD FILE:	SHEET OF	