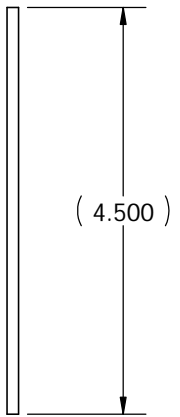
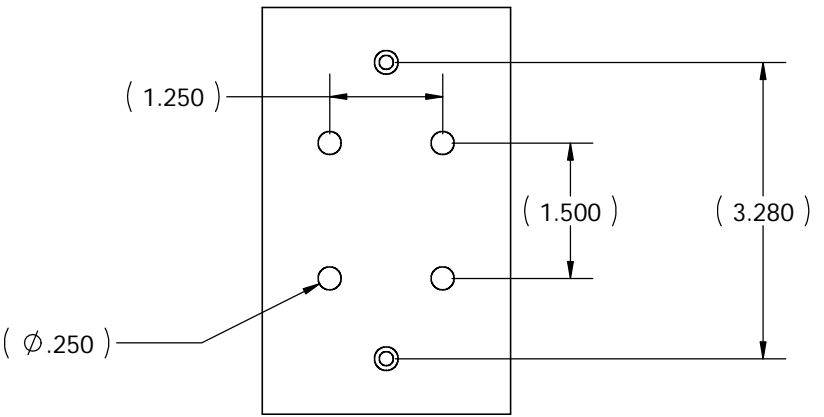
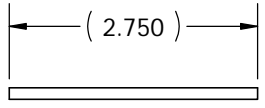
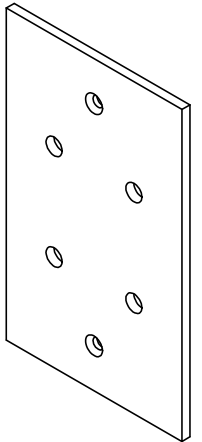


THE INFORMATION CONTAINED IN THIS DRAWING IS THE SOLE PROPERTY OF BGW SYSTEMS, INC. ANY REPRODUCTION IN PART OR WHOLE WITHOUT THE WRITTEN PERMISSION OF BGW SYSTEMS, INC. IS PROHIBITED.



UNLESS OTHERWISE SPECIFIED  
DIMENSIONS ARE IN INCHES  
TOLERANCES ARE:  
FRACTIONS DECIMALS ANGLES  
+ .XX+ .XX + 1  
.XXX+.XXX

MATERIAL  
**1/8" Aluminum**

FINISH  
**Black Anodize**

CAD GENERATED DRAWING,  
DO NOT MANUALLY UPDATE

DO NOT SCALE DRAWING

APPROVALS	DATE
DRAWN FM	4/5/01
CHECKED	
RESP ENG	
MFG ENG	
QUAL ENG	

**BGW** BGW Systems, INC.  
13130 Yukon Ave  
Hawthorne, CA 90250

MPS Gang Plate  
four 0.250" DIA holes

SIZE A DWG. NO. **4R250-1G** REV.

SCALE CAD FILE: SHEET 1 OF 1

PART