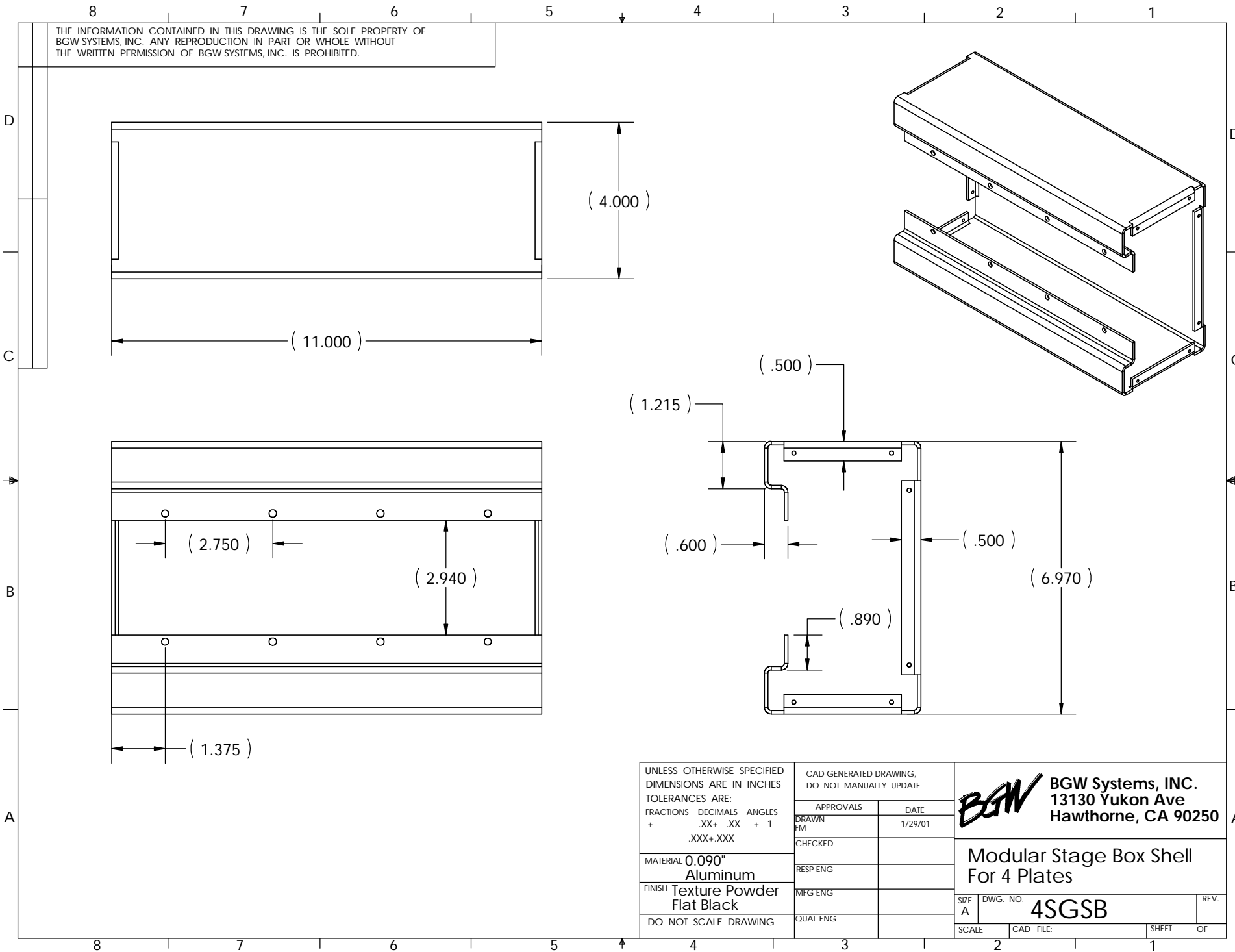


THE INFORMATION CONTAINED IN THIS DRAWING IS THE SOLE PROPERTY OF
 BGW SYSTEMS, INC. ANY REPRODUCTION IN PART OR WHOLE WITHOUT
 THE WRITTEN PERMISSION OF BGW SYSTEMS, INC. IS PROHIBITED.



UNLESS OTHERWISE SPECIFIED DIMENSIONS ARE IN INCHES TOLERANCES ARE: FRACTIONS DECIMALS ANGLES + .XX+ .XX + 1 .XXX+.XXX	CAD GENERATED DRAWING, DO NOT MANUALLY UPDATE		BGW BGW Systems, INC. 13130 Yukon Ave Hawthorne, CA 90250
	APPROVALS	DATE	
	DRAWN FM	1/29/01	Modular Stage Box Shell For 4 Plates
	CHECKED		
RESP ENG			
MATERIAL 0.090" Aluminum	MFG ENG		SIZE A
FINISH Texture Powder Flat Black	QUAL ENG		DWG. NO. 4SGSB
DO NOT SCALE DRAWING			REV.
	SCALE	CAD FILE:	SHEET OF