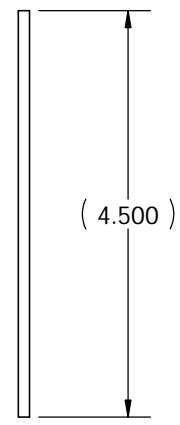
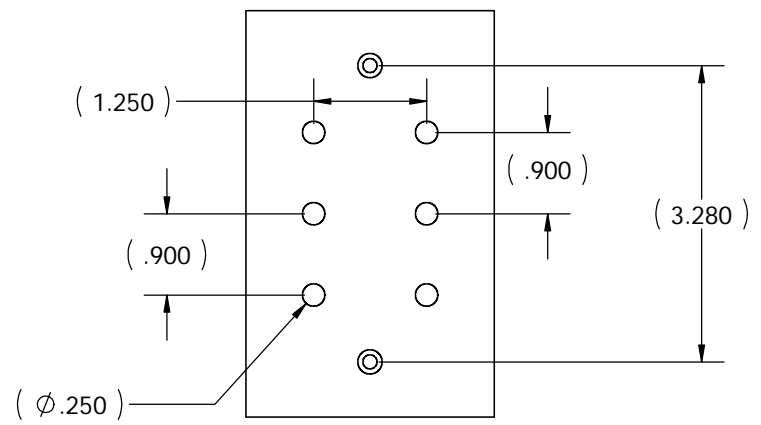
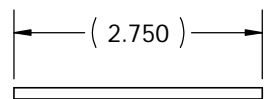
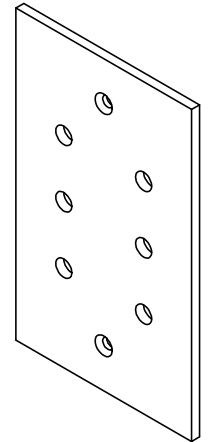



THE INFORMATION CONTAINED IN THIS DRAWING IS THE SOLE PROPERTY OF BGW SYSTEMS, INC. ANY REPRODUCTION IN PART OR WHOLE WITHOUT THE WRITTEN PERMISSION OF BGW SYSTEMS, INC. IS PROHIBITED.



UNLESS OTHERWISE SPECIFIED DIMENSIONS ARE IN INCHES TOLERANCES ARE: FRACTIONS DECIMALS ANGLES + .XX+ .XX + 1 .XXX+ .XXX	APPROVALS	DATE	 BGW Systems, INC. 13130 Yukon Ave Hawthorne, CA 90250
	DRAWN FM	4/5/01	
	CHECKED		
	RESP ENG		
MATERIAL 1/8" Aluminum	MFG ENG		MPS Gang Plate six 0.250" DIA holes
FINISH Black Anodize	QUAL ENG		SIZE A
CAD GENERATED DRAWING, DO NOT MANUALLY UPDATE			DWG. NO. 6R250-1G
DO NOT SCALE DRAWING			SCALE
			CAD FILE:
			SHEET 1 OF 1

PART

