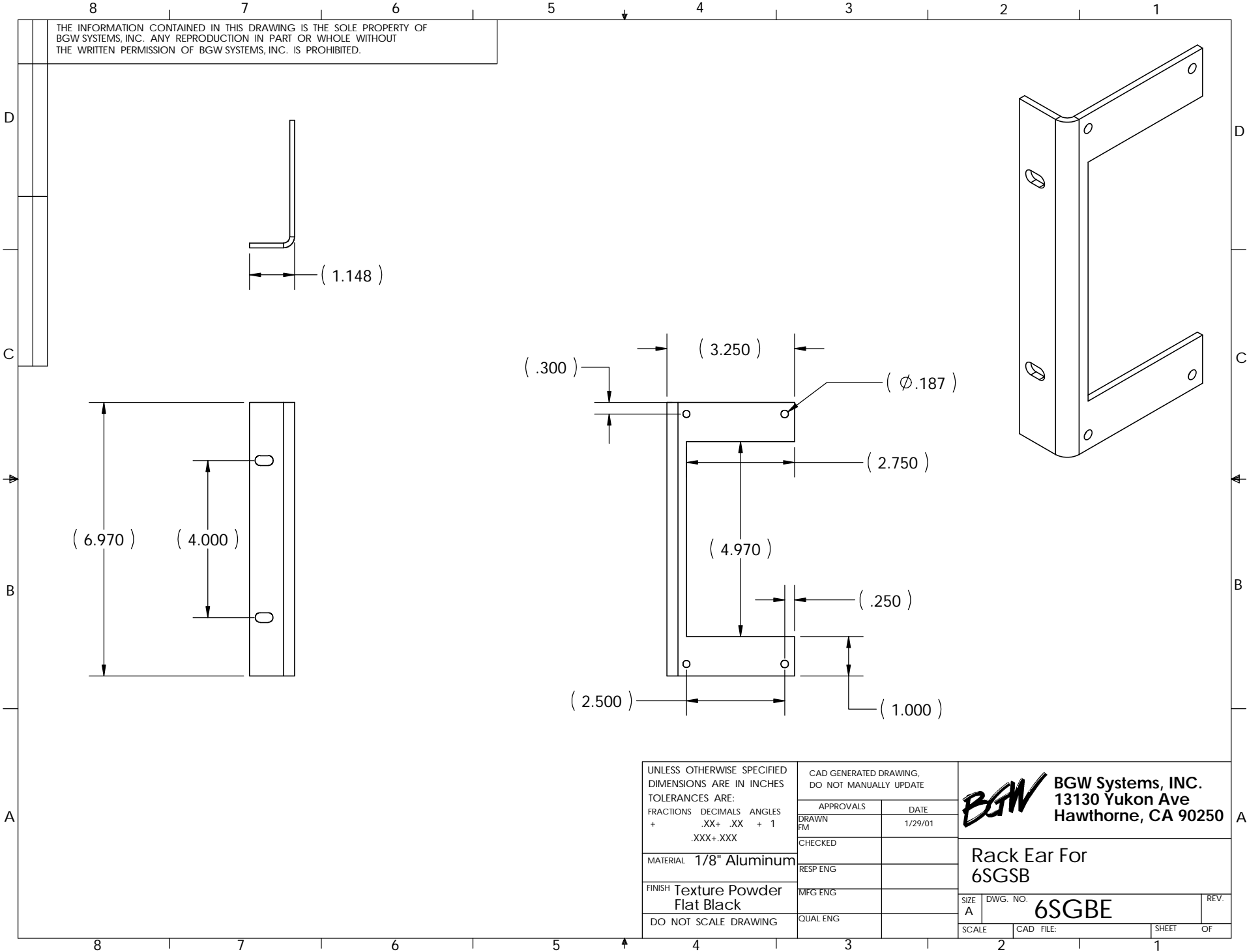


THE INFORMATION CONTAINED IN THIS DRAWING IS THE SOLE PROPERTY OF
 BGW SYSTEMS, INC. ANY REPRODUCTION IN PART OR WHOLE WITHOUT
 THE WRITTEN PERMISSION OF BGW SYSTEMS, INC. IS PROHIBITED.



UNLESS OTHERWISE SPECIFIED DIMENSIONS ARE IN INCHES TOLERANCES ARE: FRACTIONS DECIMALS ANGLES + .XX+ .XX + 1 .XXX+ .XXX	CAD GENERATED DRAWING, DO NOT MANUALLY UPDATE		BGW BGW Systems, INC. 13130 Yukon Ave Hawthorne, CA 90250
	APPROVALS	DATE	
	DRAWN FM		1/29/01
	CHECKED		
MATERIAL 1/8" Aluminum	RESP ENG		Rack Ear For 6SGSB
FINISH Texture Powder Flat Black	MFG ENG		SIZE A DWG. NO. 6SGBE REV.
DO NOT SCALE DRAWING	QUAL ENG		SCALE CAD FILE: SHEET OF