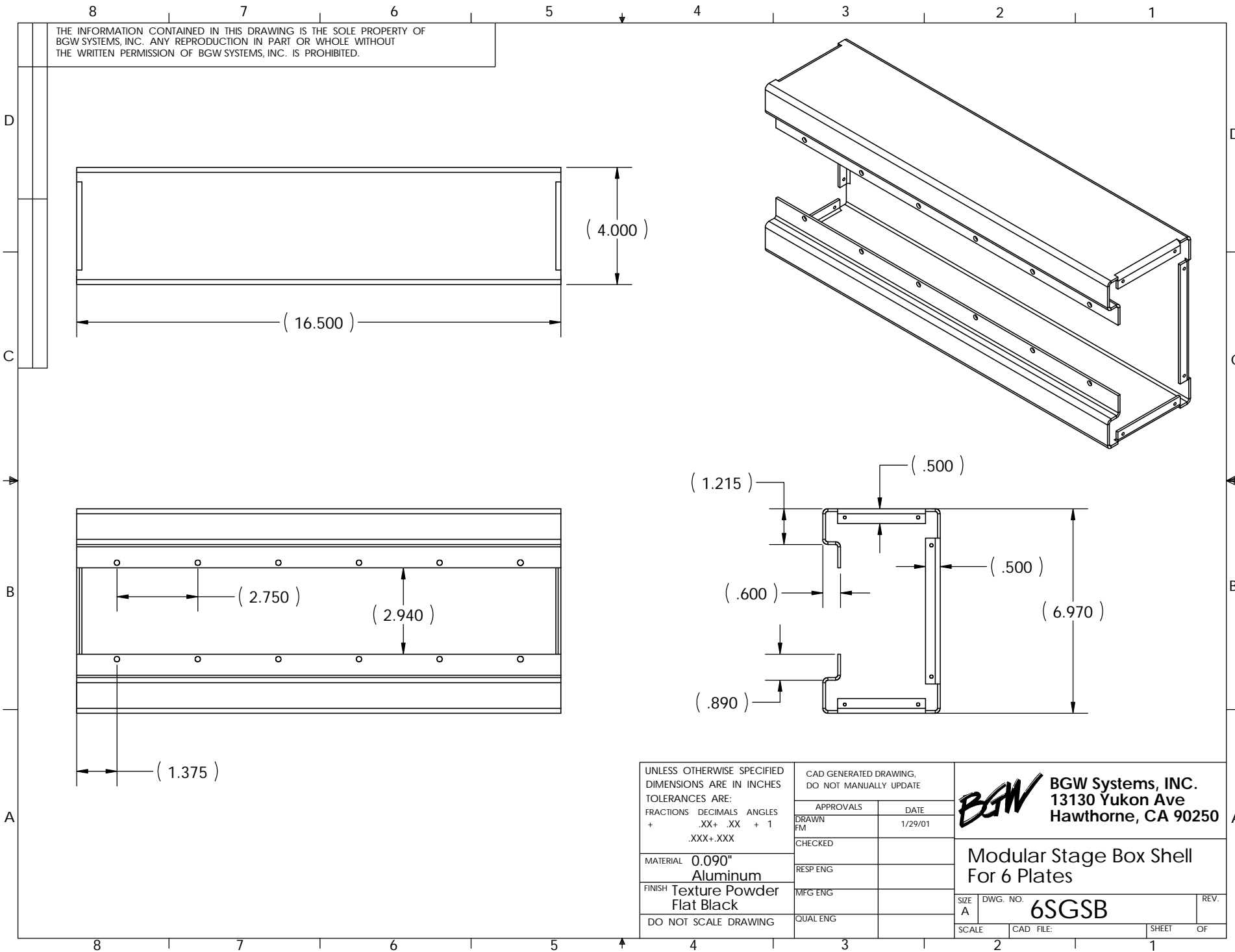


THE INFORMATION CONTAINED IN THIS DRAWING IS THE SOLE PROPERTY OF
 BGW SYSTEMS, INC. ANY REPRODUCTION IN PART OR WHOLE WITHOUT
 THE WRITTEN PERMISSION OF BGW SYSTEMS, INC. IS PROHIBITED.



UNLESS OTHERWISE SPECIFIED DIMENSIONS ARE IN INCHES TOLERANCES ARE: FRACTIONS DECIMALS ANGLES + .XX+ .XX + 1 .XXX+ .XXX	CAD GENERATED DRAWING, DO NOT MANUALLY UPDATE		BGW Systems, INC. 13130 Yukon Ave Hawthorne, CA 90250			
	APPROVALS DRAWN FM	DATE 1/29/01		Modular Stage Box Shell For 6 Plates		
	CHECKED		SIZE A		DWG. NO. 6SGSB	REV.
	MATERIAL 0.090" Aluminum	RESP ENG	MFG ENG		SCALE	CAD FILE:
FINISH Texture Powder Flat Black	QUAL ENG					

8 7 6 5 4 3 2 1