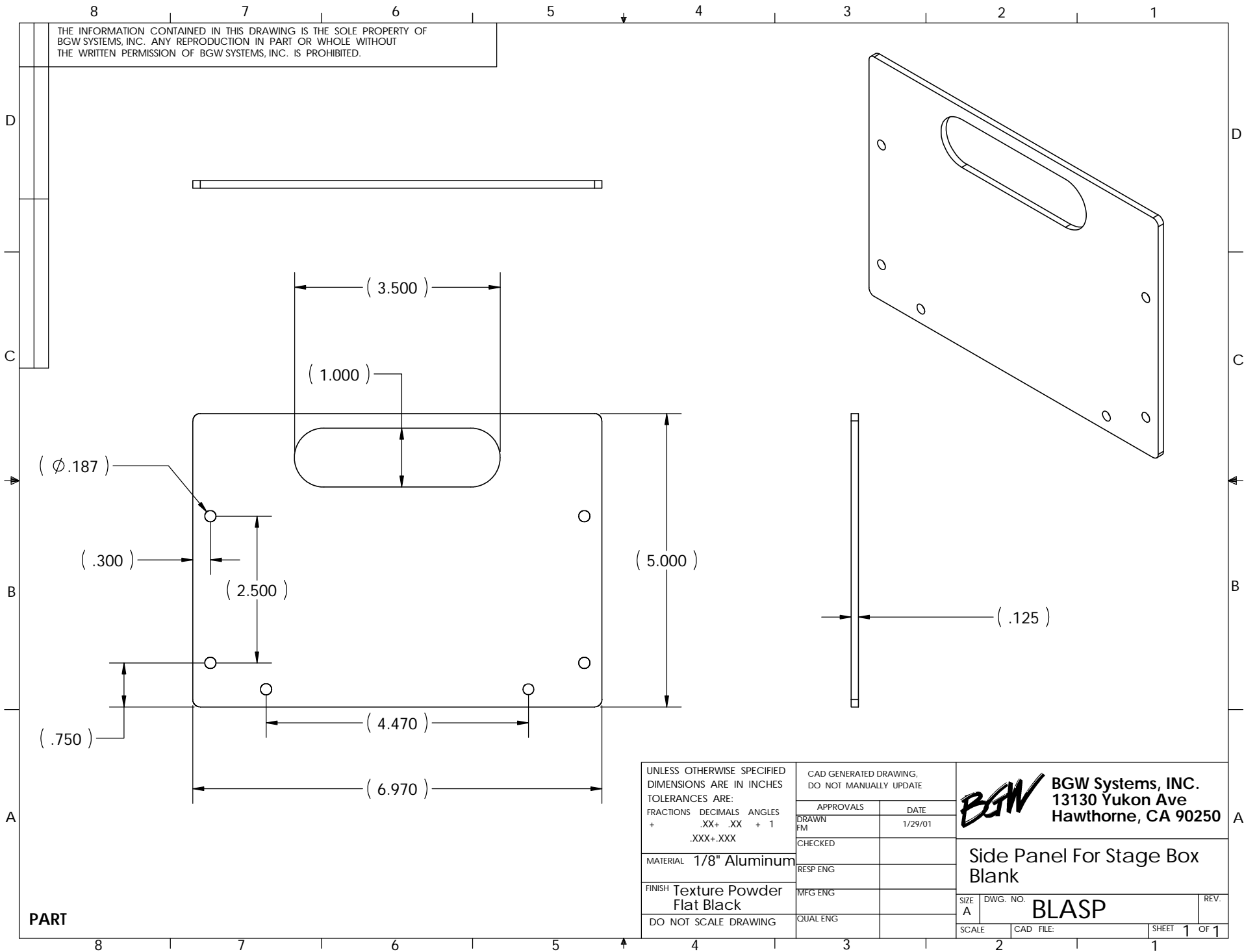


THE INFORMATION CONTAINED IN THIS DRAWING IS THE SOLE PROPERTY OF
 BGW SYSTEMS, INC. ANY REPRODUCTION IN PART OR WHOLE WITHOUT
 THE WRITTEN PERMISSION OF BGW SYSTEMS, INC. IS PROHIBITED.



UNLESS OTHERWISE SPECIFIED DIMENSIONS ARE IN INCHES TOLERANCES ARE: FRACTIONS DECIMALS ANGLES + .XX+ .XX + 1 .XXX+ .XXX	CAD GENERATED DRAWING, DO NOT MANUALLY UPDATE		BGW BGW Systems, INC. 13130 Yukon Ave Hawthorne, CA 90250	
	APPROVALS	DATE		
	MATERIAL	1/8" Aluminum	DRAWN FM	1/29/01
	FINISH	Texture Powder Flat Black	CHECKED	
DO NOT SCALE DRAWING		RESP ENG		
		MFG ENG		
		QUAL ENG		
SIZE A	DWG. NO. BLASP	SCALE	CAD FILE:	
		SHEET	1 OF 1	

PART