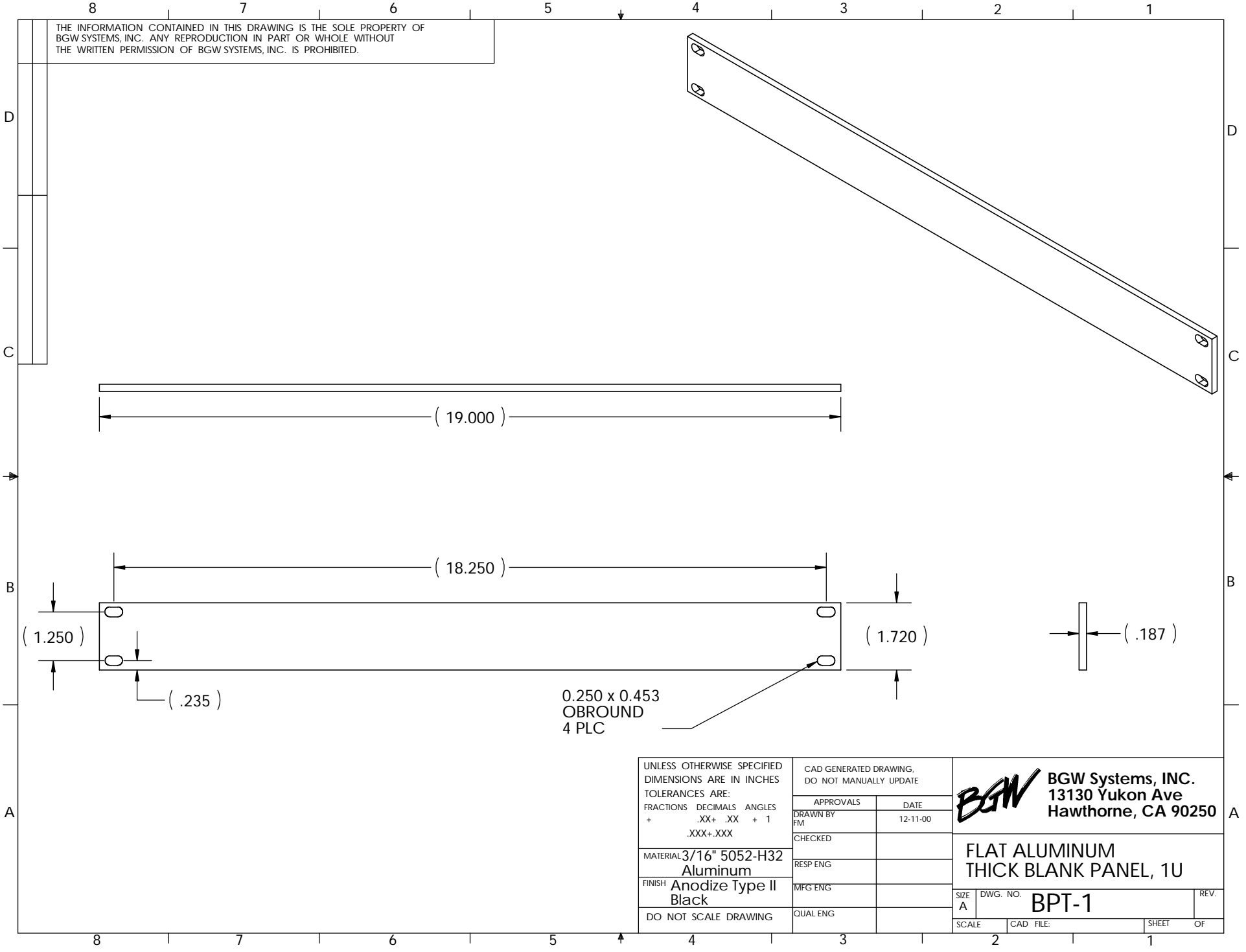



THE INFORMATION CONTAINED IN THIS DRAWING IS THE SOLE PROPERTY OF
 BGW SYSTEMS, INC. ANY REPRODUCTION IN PART OR WHOLE WITHOUT
 THE WRITTEN PERMISSION OF BGW SYSTEMS, INC. IS PROHIBITED.



0.250 x 0.453
 OBROUND
 4 PLC

UNLESS OTHERWISE SPECIFIED DIMENSIONS ARE IN INCHES TOLERANCES ARE: FRACTIONS DECIMALS ANGLES + .XX+ .XX + 1 .XXX+.XXX	CAD GENERATED DRAWING, DO NOT MANUALLY UPDATE		 BGW Systems, INC. 13130 Yukon Ave Hawthorne, CA 90250
	APPROVALS	DATE	
	DRAWN BY FM	12-11-00	FLAT ALUMINUM THICK BLANK PANEL, 1U
	CHECKED		
MATERIAL 3/16" 5052-H32 Aluminum	RESP ENG	SIZE A DWG. NO. BPT-1 REV.	
FINISH Anodize Type II Black	MFG ENG		
DO NOT SCALE DRAWING	QUAL ENG	SCALE	CAD FILE: SHEET OF