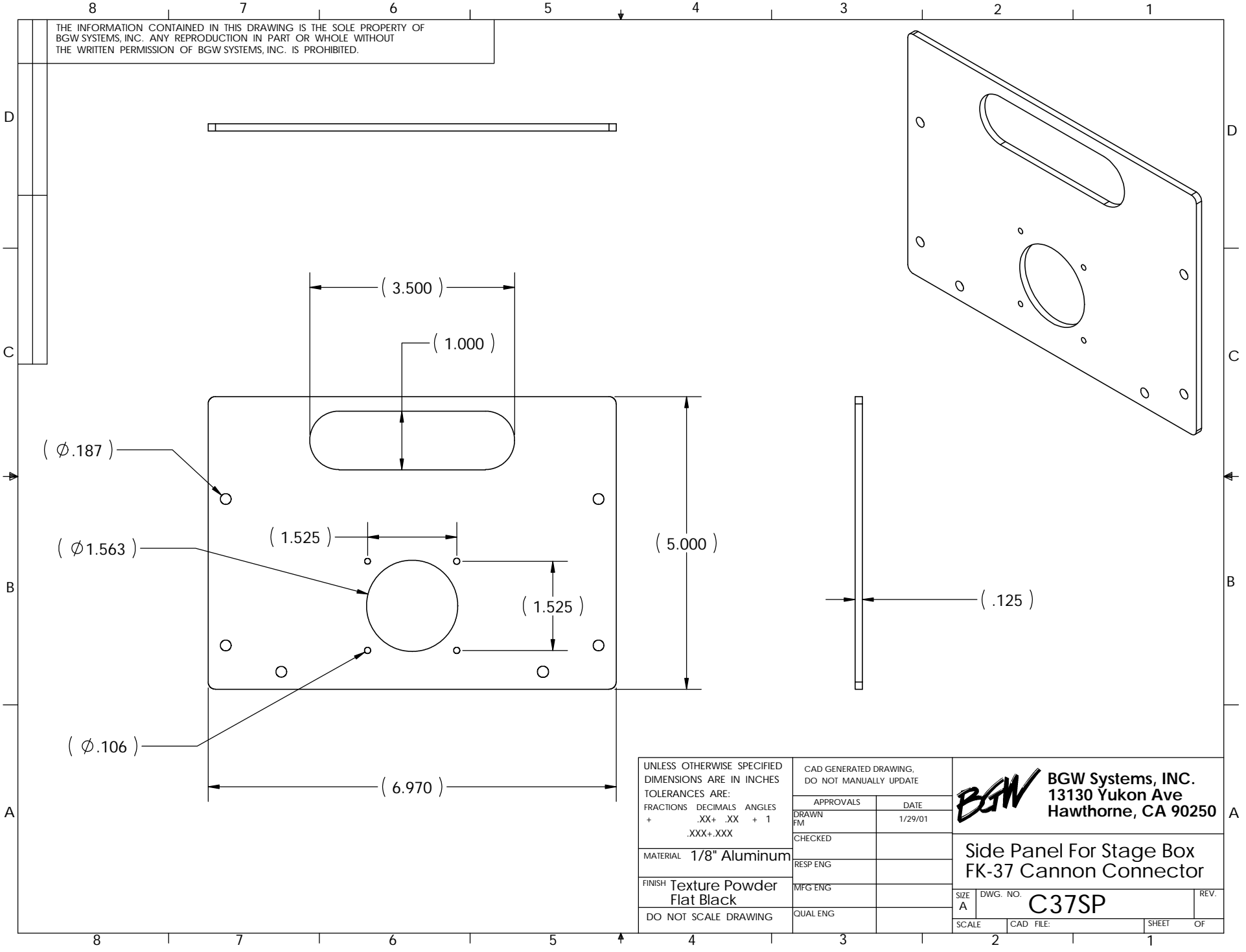


THE INFORMATION CONTAINED IN THIS DRAWING IS THE SOLE PROPERTY OF
 BGW SYSTEMS, INC. ANY REPRODUCTION IN PART OR WHOLE WITHOUT
 THE WRITTEN PERMISSION OF BGW SYSTEMS, INC. IS PROHIBITED.



UNLESS OTHERWISE SPECIFIED DIMENSIONS ARE IN INCHES TOLERANCES ARE: FRACTIONS DECIMALS ANGLES + .XX+ .XX + 1 .XXX+.XXX	
MATERIAL	1/8" Aluminum
FINISH	Texture Powder Flat Black
DO NOT SCALE DRAWING	

CAD GENERATED DRAWING, DO NOT MANUALLY UPDATE	
APPROVALS	DATE
DRAWN FM	1/29/01
CHECKED	
RESP ENG	
MFG ENG	
QUAL ENG	

BGW BGW Systems, INC.
 13130 Yukon Ave
 Hawthorne, CA 90250

Side Panel For Stage Box
 FK-37 Cannon Connector

SIZE A	DWG. NO. C37SP	REV.
SCALE	CAD FILE:	SHEET OF