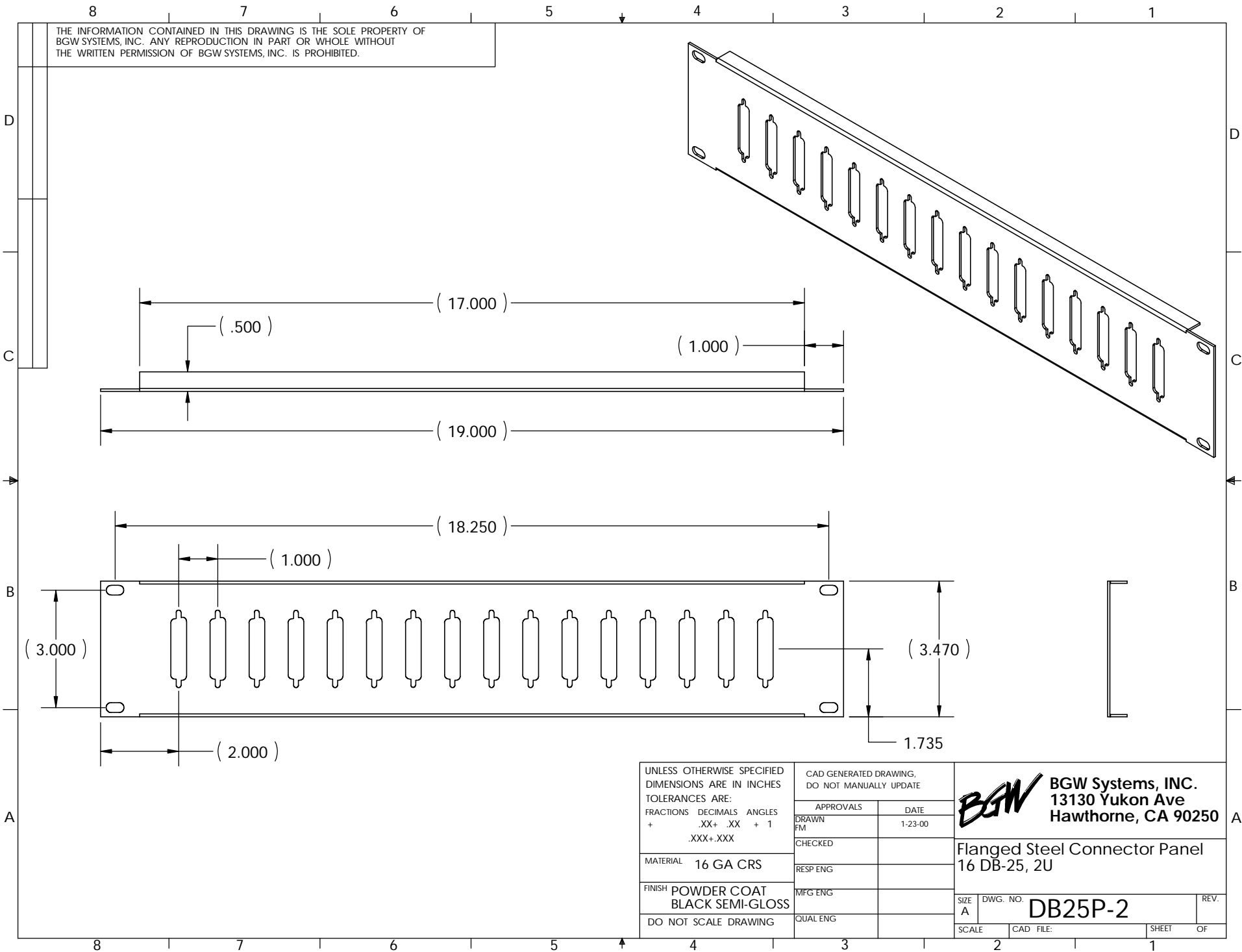



THE INFORMATION CONTAINED IN THIS DRAWING IS THE SOLE PROPERTY OF  
 BGW SYSTEMS, INC. ANY REPRODUCTION IN PART OR WHOLE WITHOUT  
 THE WRITTEN PERMISSION OF BGW SYSTEMS, INC. IS PROHIBITED.



UNLESS OTHERWISE SPECIFIED DIMENSIONS ARE IN INCHES TOLERANCES ARE: FRACTIONS DECIMALS ANGLES + .XX+ .XX + 1 .XXX+.XXX	CAD GENERATED DRAWING, DO NOT MANUALLY UPDATE		 <b>BGW Systems, INC.</b> 13130 Yukon Ave Hawthorne, CA 90250	
	APPROVALS			DATE
	MATERIAL	16 GA CRS	DRAWN FM	1-23-00
	FINISH	POWDER COAT BLACK SEMI-GLOSS	CHECKED	
DO NOT SCALE DRAWING		RESP ENG		
		MFG ENG		
		QUAL ENG		
		SIZE A	DWG. NO. <b>DB25P-2</b>	REV.
		SCALE	CAD FILE:	SHEET OF