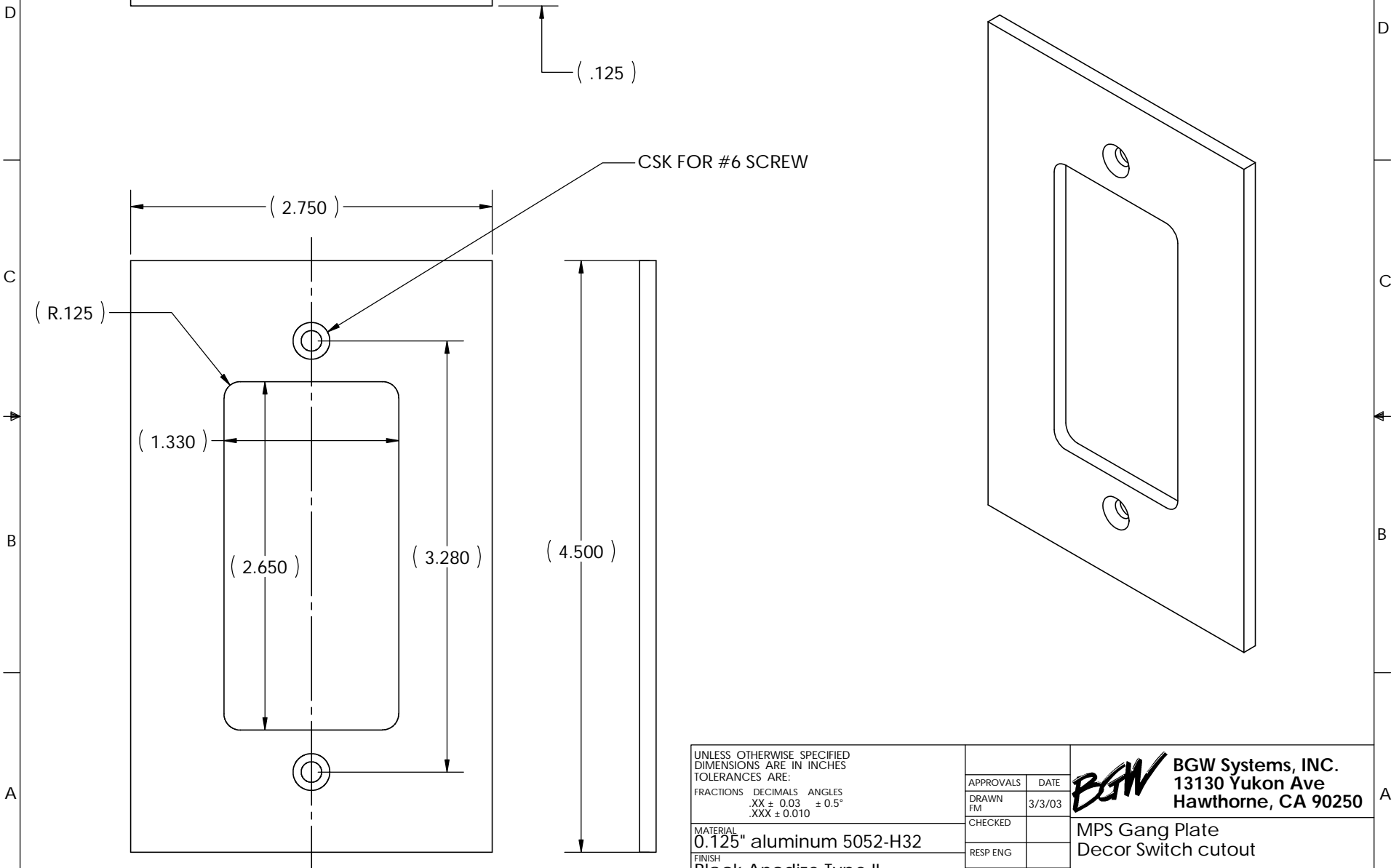


THE INFORMATION CONTAINED IN THIS DRAWING IS THE SOLE PROPERTY OF BGW SYSTEMS, INC. ANY REPRODUCTION IN PART OR WHOLE WITHOUT THE WRITTEN PERMISSION OF BGW SYSTEMS, INC. IS PROHIBITED.

REVISIONS			
REV.	DESCRIPTION	DATE	APPROVED



PART

UNLESS OTHERWISE SPECIFIED
DIMENSIONS ARE IN INCHES
TOLERANCES ARE:
FRACTIONS DECIMALS ANGLES
XX ± 0.03 ± 0.5°
XXX ± 0.010

MATERIAL
0.125" aluminum 5052-H32

FINISH
Black Anodize Type II

CAD GENERATED DRAWING.
DO NOT MANUALLY UPDATE

DO NOT SCALE DRAWING

APPROVALS	DATE	BGW Systems, INC. 13130 Yukon Ave Hawthorne, CA 90250	A
DRAWN FM	3/3/03		
CHECKED			
RESP ENG			
MFG ENG		MPS Gang Plate Decor Switch cutout	
QUAL ENG		SIZE A DWG. NO. DECOR-1G	REV. A
SCALE	CAD FILE:	SHEET 1 OF 1	