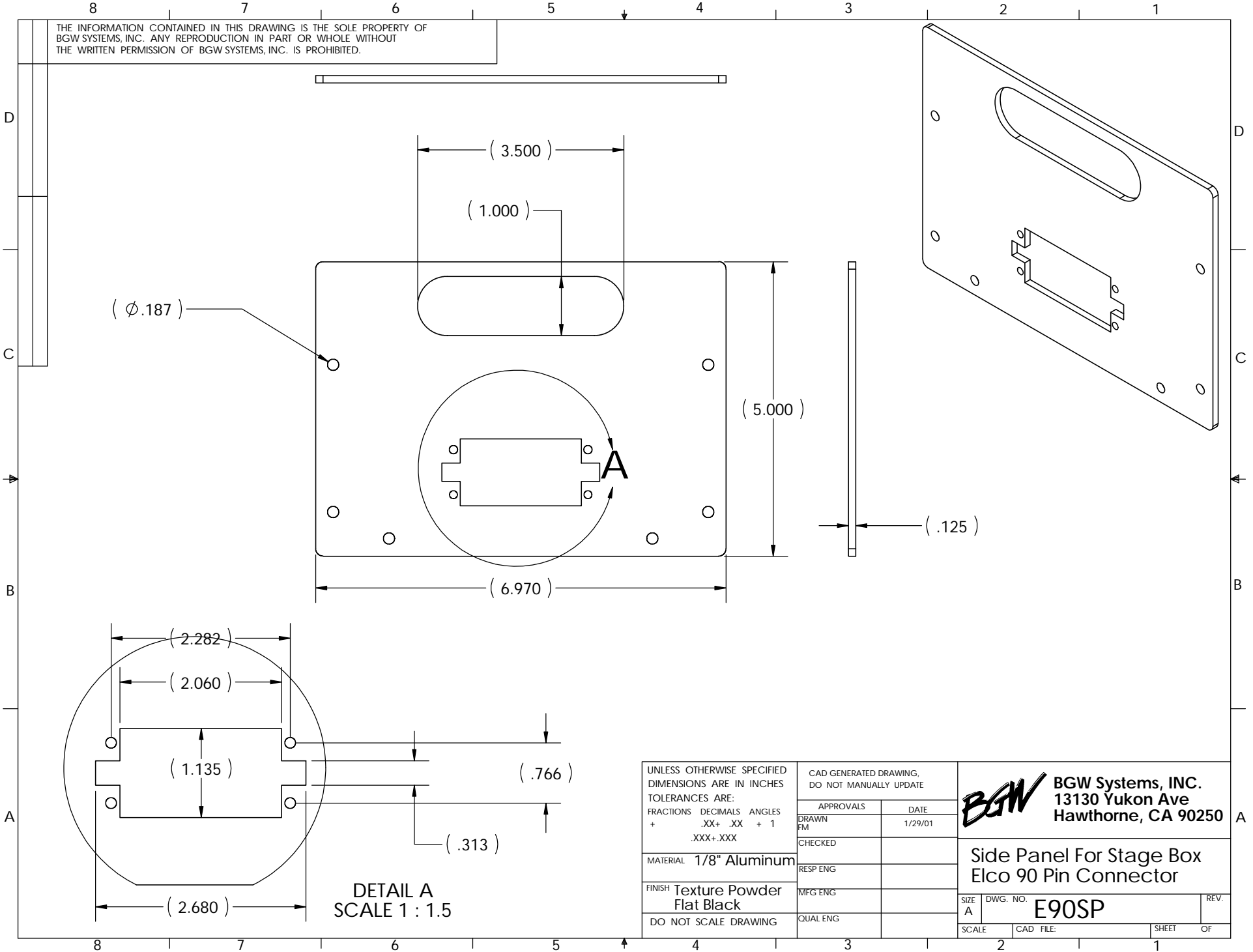



THE INFORMATION CONTAINED IN THIS DRAWING IS THE SOLE PROPERTY OF
 BGW SYSTEMS, INC. ANY REPRODUCTION IN PART OR WHOLE WITHOUT
 THE WRITTEN PERMISSION OF BGW SYSTEMS, INC. IS PROHIBITED.



DETAIL A
 SCALE 1 : 1.5

UNLESS OTHERWISE SPECIFIED DIMENSIONS ARE IN INCHES TOLERANCES ARE: FRACTIONS DECIMALS ANGLES + .XX+ .XX + 1 .XXX+.XXX	CAD GENERATED DRAWING, DO NOT MANUALLY UPDATE		 BGW Systems, INC. 13130 Yukon Ave Hawthorne, CA 90250	
	APPROVALS			DATE
	DRAWN FM			1/29/01
	CHECKED			
MATERIAL 1/8" Aluminum	RESP ENG		Side Panel For Stage Box Elco 90 Pin Connector	
FINISH Texture Powder Flat Black	MFG ENG			
DO NOT SCALE DRAWING	QUAL ENG			
SIZE A	DWG. NO. E90SP	REV.		
SCALE	CAD FILE:	SHEET	OF	