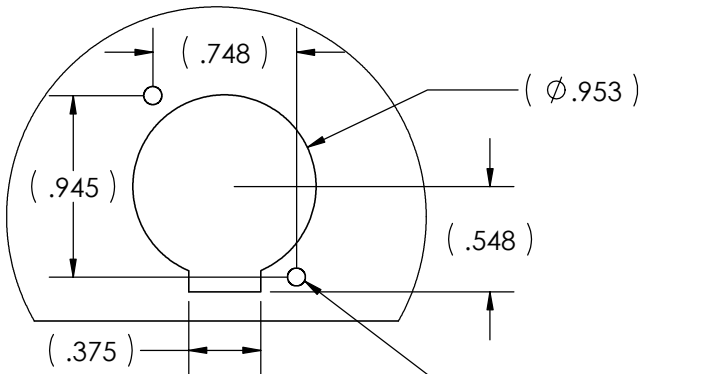
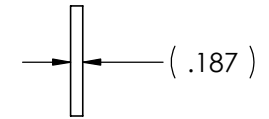
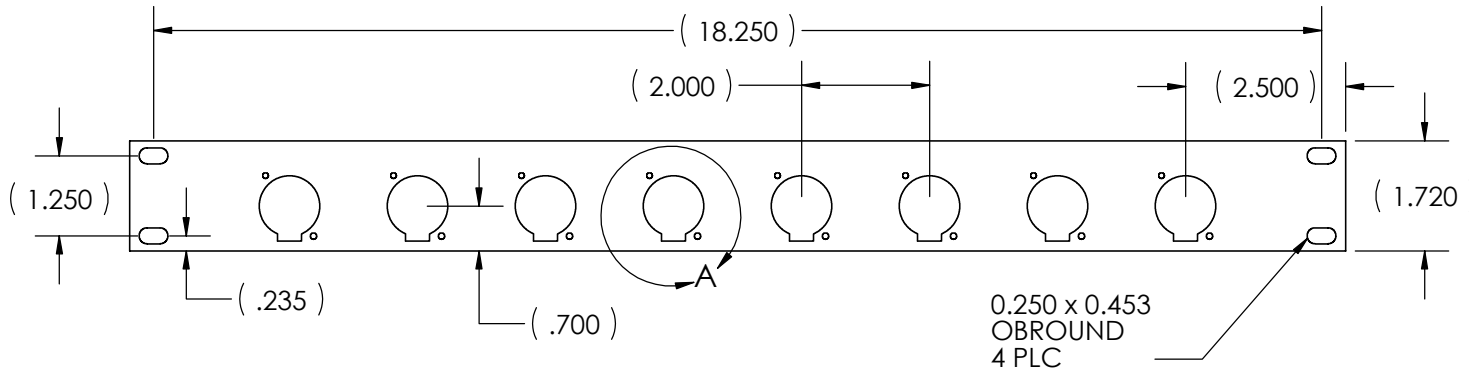
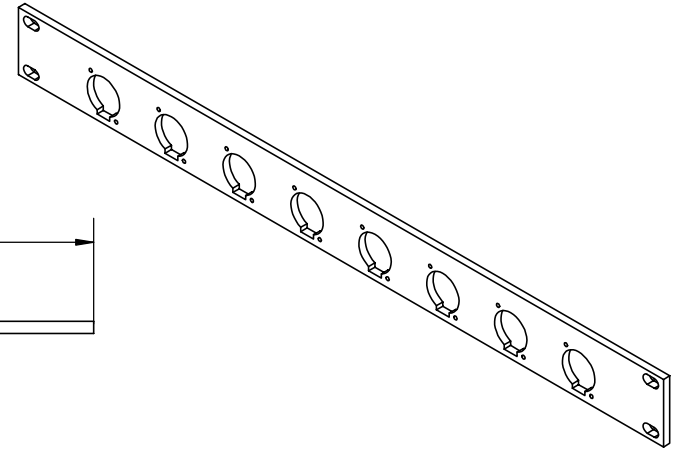
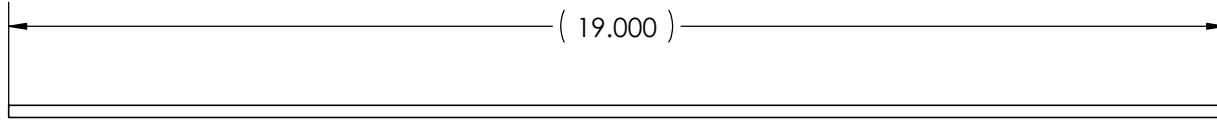


THE INFORMATION CONTAINED IN THIS DRAWING IS THE SOLE PROPERTY OF BGW SYSTEMS, INC. ANY REPRODUCTION IN PART OR WHOLE WITHOUT THE WRITTEN PERMISSION OF BGW SYSTEMS, INC. IS PROHIBITED.



DETAIL A
SCALE 1 : 1

#4-40 TAPPED
2 PLC

UNLESS OTHERWISE SPECIFIED
DIMENSIONS ARE IN INCHES
TOLERANCES ARE:
FRACTIONS DECIMALS ANGLES
+ .XX+ .XX + 1
.XXX+.XXX

CAD GENERATED DRAWING.
DO NOT MANUALLY UPDATE

APPROVALS	DATE
DRAWN BY FM	1-23-00

CHECKED

MATERIAL
3/16" Aluminum

FINISH Anodize Type II
Black

DO NOT SCALE DRAWING

RESP ENG

MFG ENG

QUAL ENG

BGW BGW Systems, INC.
13130 Yukon Ave
Hawthorne, CA 90250

XLR PANEL, 8 Connector, 1U
NEUTRIK D Series
Speakon NL4/2
SIZE DWG. NO. A NXLP-1 REV.

SCALE CAD FILE: SHEET OF