

THE INFORMATION CONTAINED IN THIS DRAWING IS THE SOLE PROPERTY OF BGW SYSTEMS, INC. ANY REPRODUCTION IN PART OR WHOLE WITHOUT THE WRITTEN PERMISSION OF BGW SYSTEMS, INC. IS PROHIBITED.

D

C

B

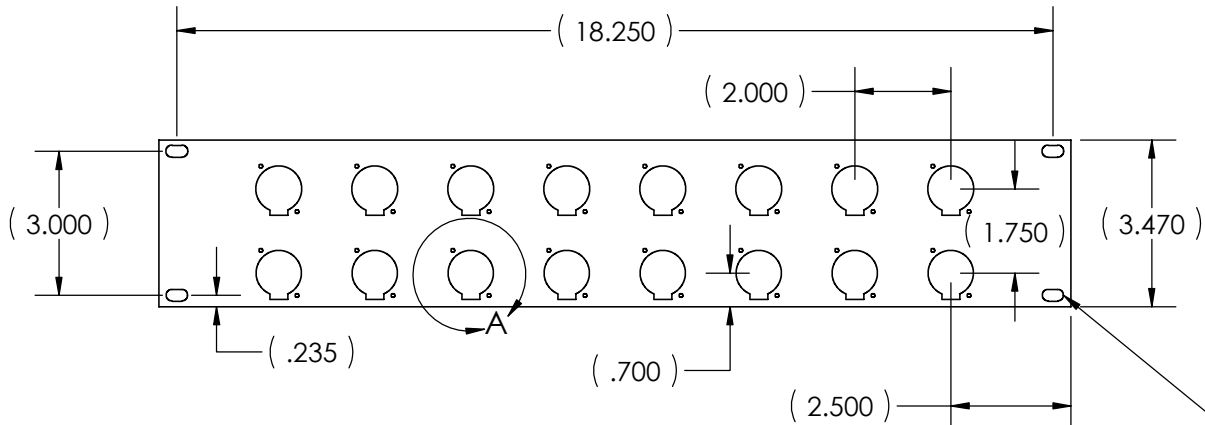
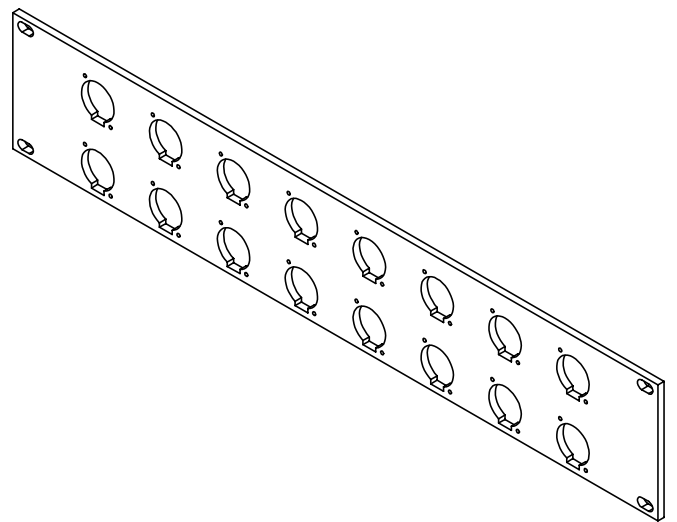
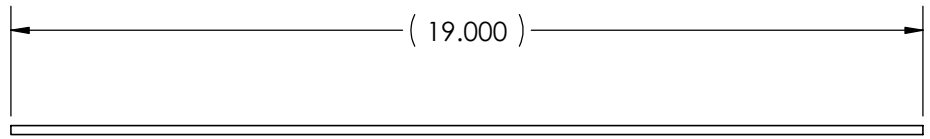
A

D

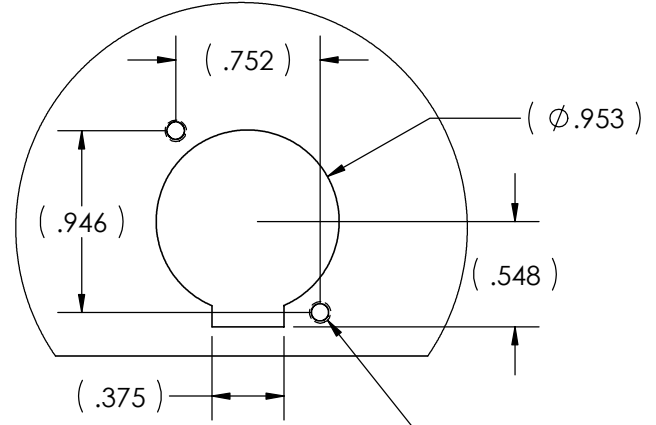
C

B

A



0.250 x 0.453
OBROUND
4 PLC



DETAIL A
SCALE 1 : 1

#4-40 tapped
2 PLC

UNLESS OTHERWISE SPECIFIED
DIMENSIONS ARE IN INCHES
TOLERANCES ARE:
FRACTIONS DECIMALS ANGLES
+ .XX+ .XX + 1
.XXX+.XXX

MATERIAL
3/16" Aluminum

FINISH
Anodize Type II
Black

DO NOT SCALE DRAWING

CAD GENERATED DRAWING.
DO NOT MANUALLY UPDATE

APPROVALS	DATE
DRAWN BY FM	1-23-00
CHECKED	
RESP ENG	
MFG ENG	
QUAL ENG	

BGW BGW Systems, INC.
13130 Yukon Ave
Hawthorne, CA 90250

XLR PANEL, 16 Connector, 2U
NEUTRIK D Series
Speakon NL4/2

SCALE A	DWG. NO. NXLP-2	REV.
CAD FILE:	SHEET 1	OF