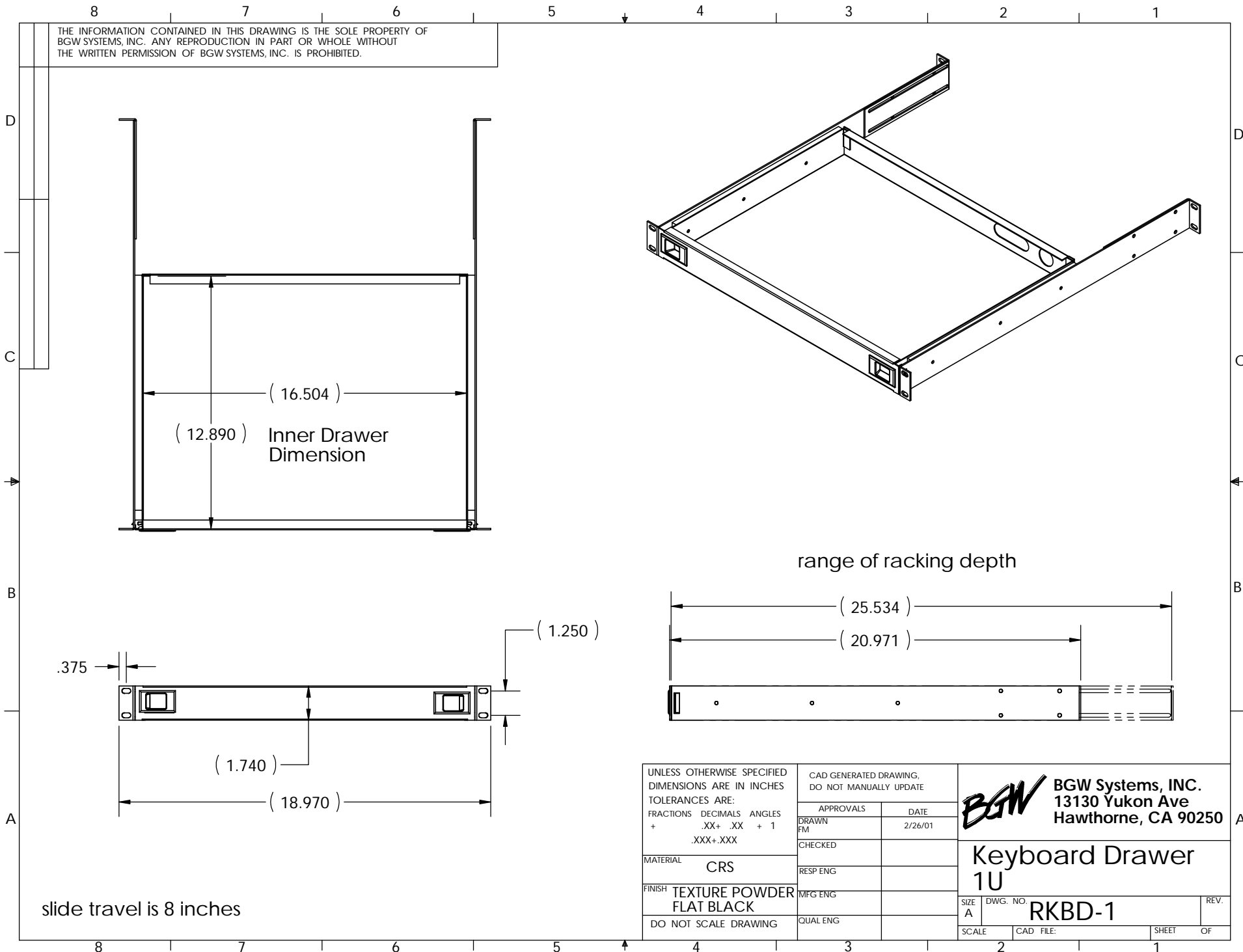


THE INFORMATION CONTAINED IN THIS DRAWING IS THE SOLE PROPERTY OF
 BGW SYSTEMS, INC. ANY REPRODUCTION IN PART OR WHOLE WITHOUT
 THE WRITTEN PERMISSION OF BGW SYSTEMS, INC. IS PROHIBITED.



UNLESS OTHERWISE SPECIFIED DIMENSIONS ARE IN INCHES TOLERANCES ARE: FRACTIONS DECIMALS ANGLES + .XX+ .XX + 1 .XXX+.XXX	CAD GENERATED DRAWING, DO NOT MANUALLY UPDATE		BGW BGW Systems, INC. 13130 Yukon Ave Hawthorne, CA 90250
	APPROVALS	DATE	
MATERIAL	CRS	DRAWN FM	2/26/01
FINISH	TEXTURE POWDER FLAT BLACK	CHECKED	
DO NOT SCALE DRAWING		RESP ENG	
		MFG ENG	
		QUAL ENG	
SIZE A	DWG. NO. RKBD-1	SCALE	CAD FILE: SHEET OF