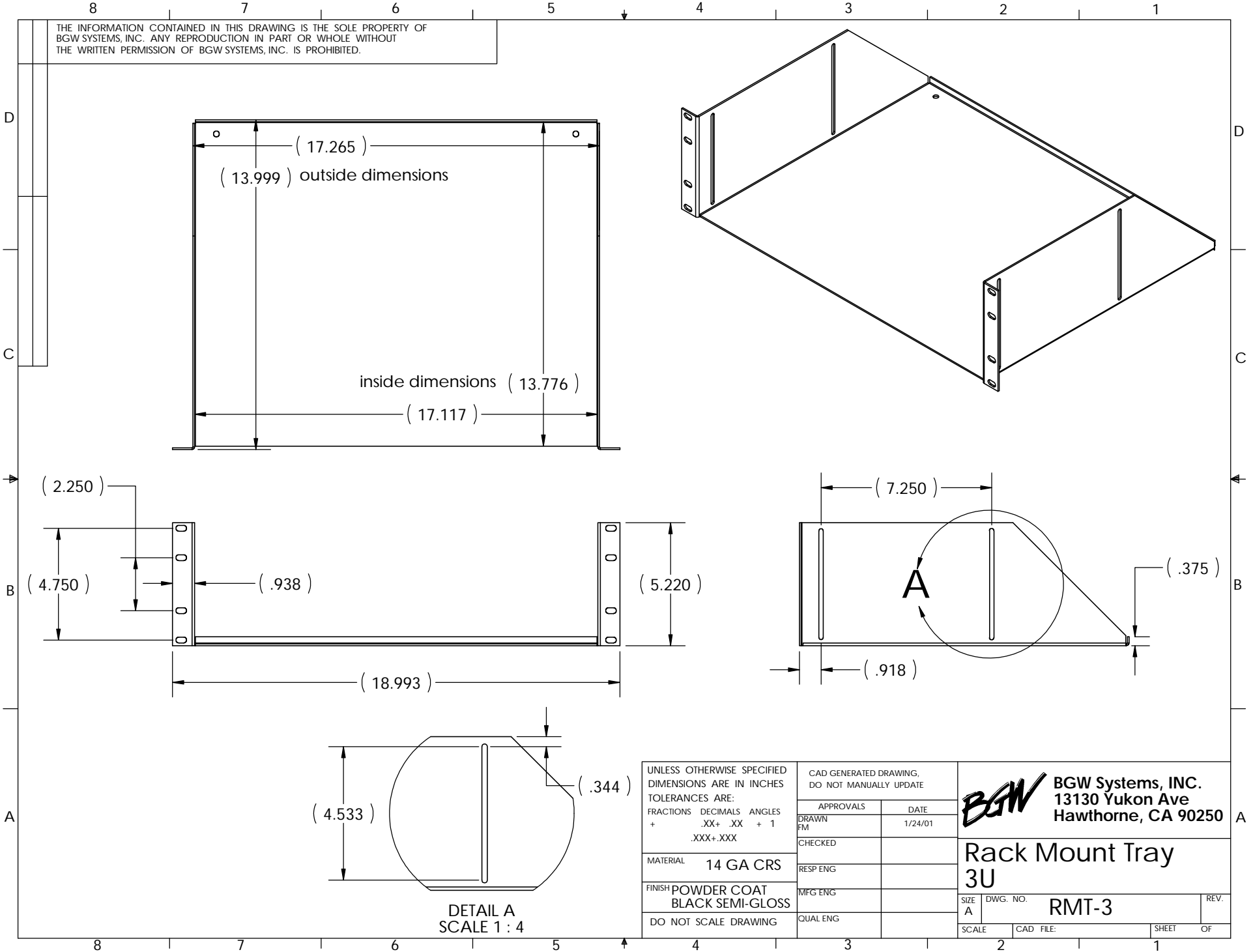


THE INFORMATION CONTAINED IN THIS DRAWING IS THE SOLE PROPERTY OF  
 BGW SYSTEMS, INC. ANY REPRODUCTION IN PART OR WHOLE WITHOUT  
 THE WRITTEN PERMISSION OF BGW SYSTEMS, INC. IS PROHIBITED.



UNLESS OTHERWISE SPECIFIED DIMENSIONS ARE IN INCHES TOLERANCES ARE: FRACTIONS DECIMALS ANGLES + .XX+ .XX + 1 .XXX+.XXX		CAD GENERATED DRAWING, DO NOT MANUALLY UPDATE	
APPROVALS		DATE	
DRAWN FM		1/24/01	
CHECKED			
MATERIAL 14 GA CRS		RESP ENG	
FINISH POWDER COAT BLACK SEMI-GLOSS		MFG ENG	
DO NOT SCALE DRAWING		QUAL ENG	

**BGW** BGW Systems, INC.  
 13130 Yukon Ave  
 Hawthorne, CA 90250

**Rack Mount Tray  
 3U**

SIZE A	DWG. NO. RMT-3	REV.
SCALE	CAD FILE:	SHEET OF

DETAIL A  
 SCALE 1 : 4