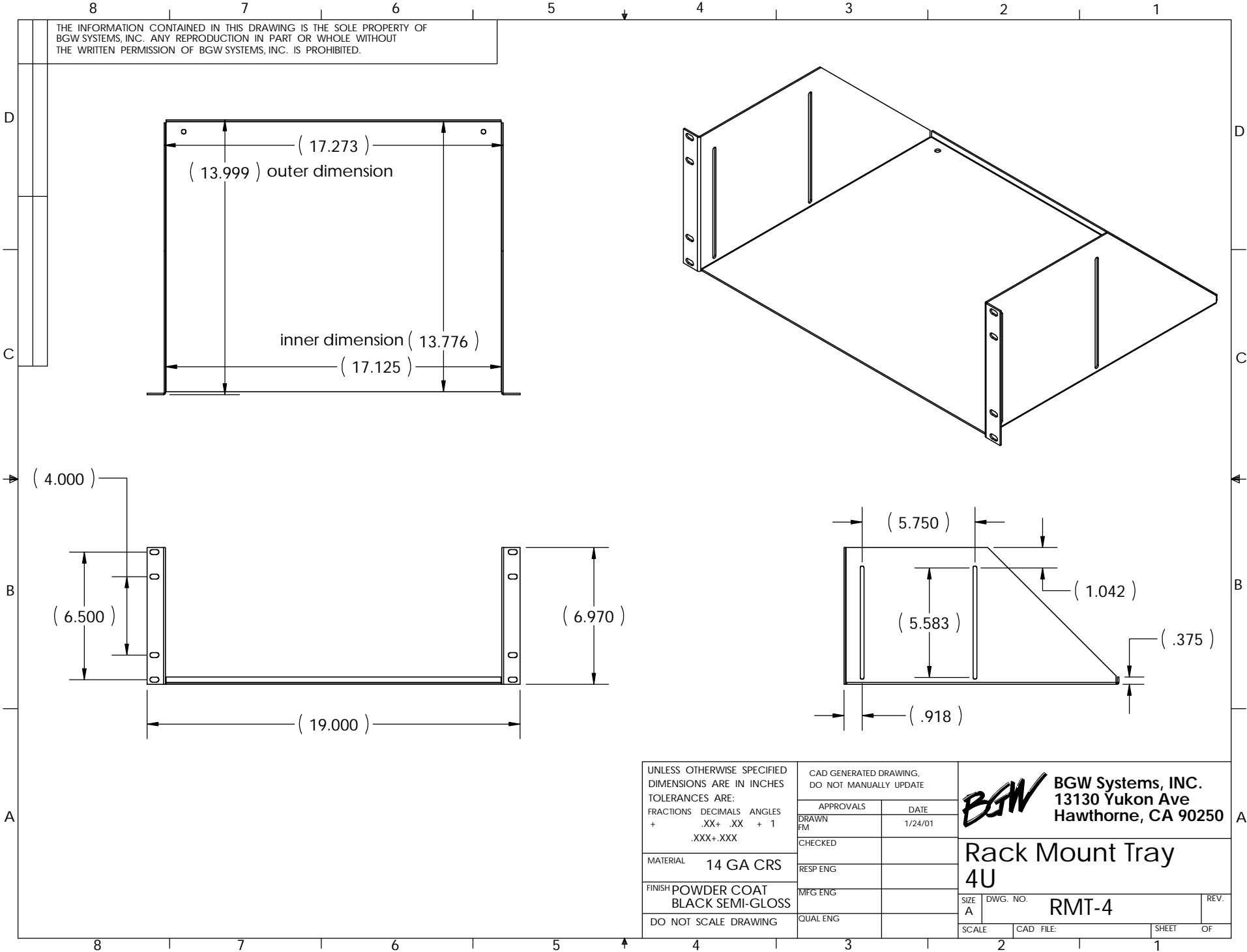



THE INFORMATION CONTAINED IN THIS DRAWING IS THE SOLE PROPERTY OF  
 BGW SYSTEMS, INC. ANY REPRODUCTION IN PART OR WHOLE WITHOUT  
 THE WRITTEN PERMISSION OF BGW SYSTEMS, INC. IS PROHIBITED.



UNLESS OTHERWISE SPECIFIED DIMENSIONS ARE IN INCHES TOLERANCES ARE: FRACTIONS    DECIMALS    ANGLES +            .XX+ .XX    + 1 .XXX+ .XXX	CAD GENERATED DRAWING, DO NOT MANUALLY UPDATE		 <b>BGW Systems, INC.</b> 13130 Yukon Ave Hawthorne, CA 90250	
	APPROVALS			DATE
	DRAWN FM			1/24/01
	CHECKED			
MATERIAL    14 GA CRS	RESP ENG		<b>Rack Mount Tray 4U</b>	
FINISH POWDER COAT BLACK SEMI-GLOSS	MFG ENG			
DO NOT SCALE DRAWING	QUAL ENG			
SIZE A	DWG. NO.	RMT-4		
SCALE	CAD FILE:	SHEET	OF	