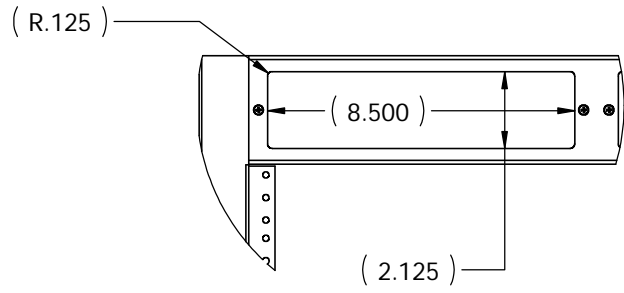
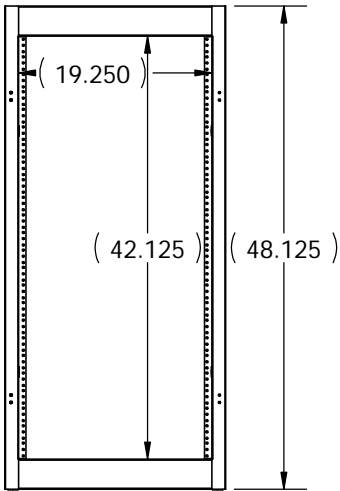


Top

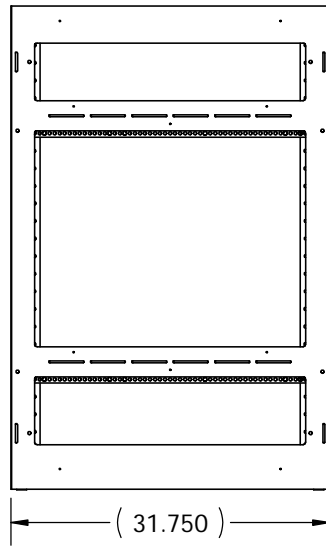


DETAIL A
SCALE 1 : 5

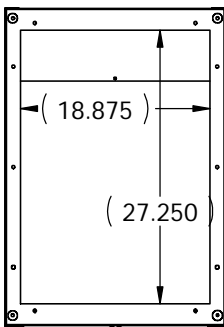
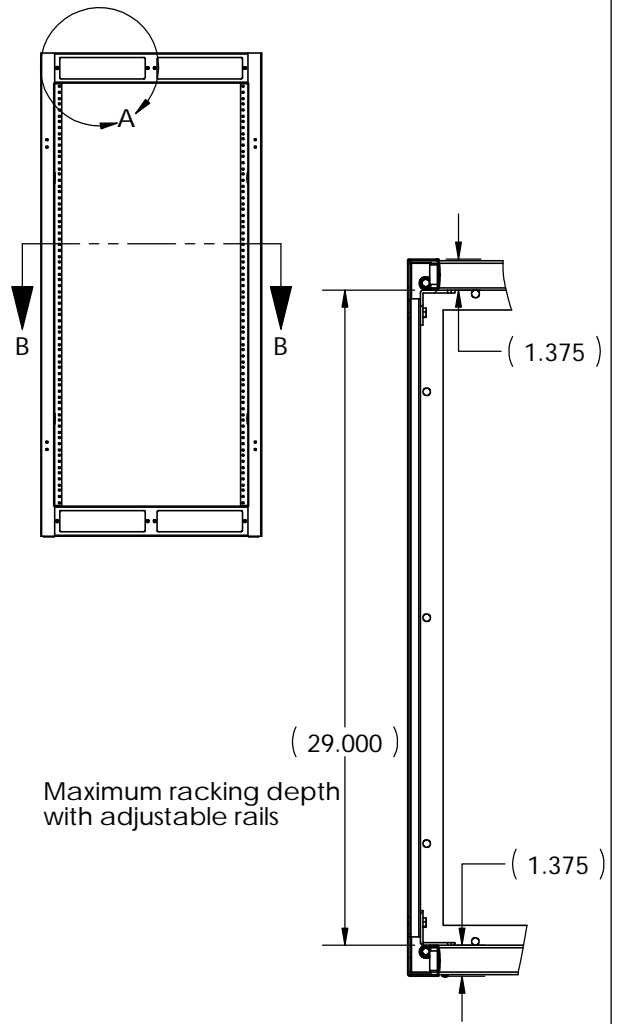
Front



Side



Rear



Bottom

SECTION B-B
SCALE 1 : 8

BGW BGW Systems, INC.
13130 Yukon Ave
Hawthorne, CA 90250

RN Series Rack		SIZE	DWG. NO.	REV.
RN24-31		A	RN24-31	
24U, 29" Racking Depth				
SCALE: 1:18	WEIGHT:	SHEET 1 OF 1		

DIMENSIONS ARE IN INCHES
TOLERANCES:
FRACTIONAL ±
ANGULAR: MACH ± BEND ±
TWO PLACE DECIMAL ±
THREE PLACE DECIMAL ±

MATERIAL	CRS
FINISH	Texture Powder Flat Black
DO NOT SCALE DRAWING	

NAME	DATE
FM	4/5/01
CHECKED	
ENG APPR.	
MFG APPR.	
Q.A.	

ASSEMBLY