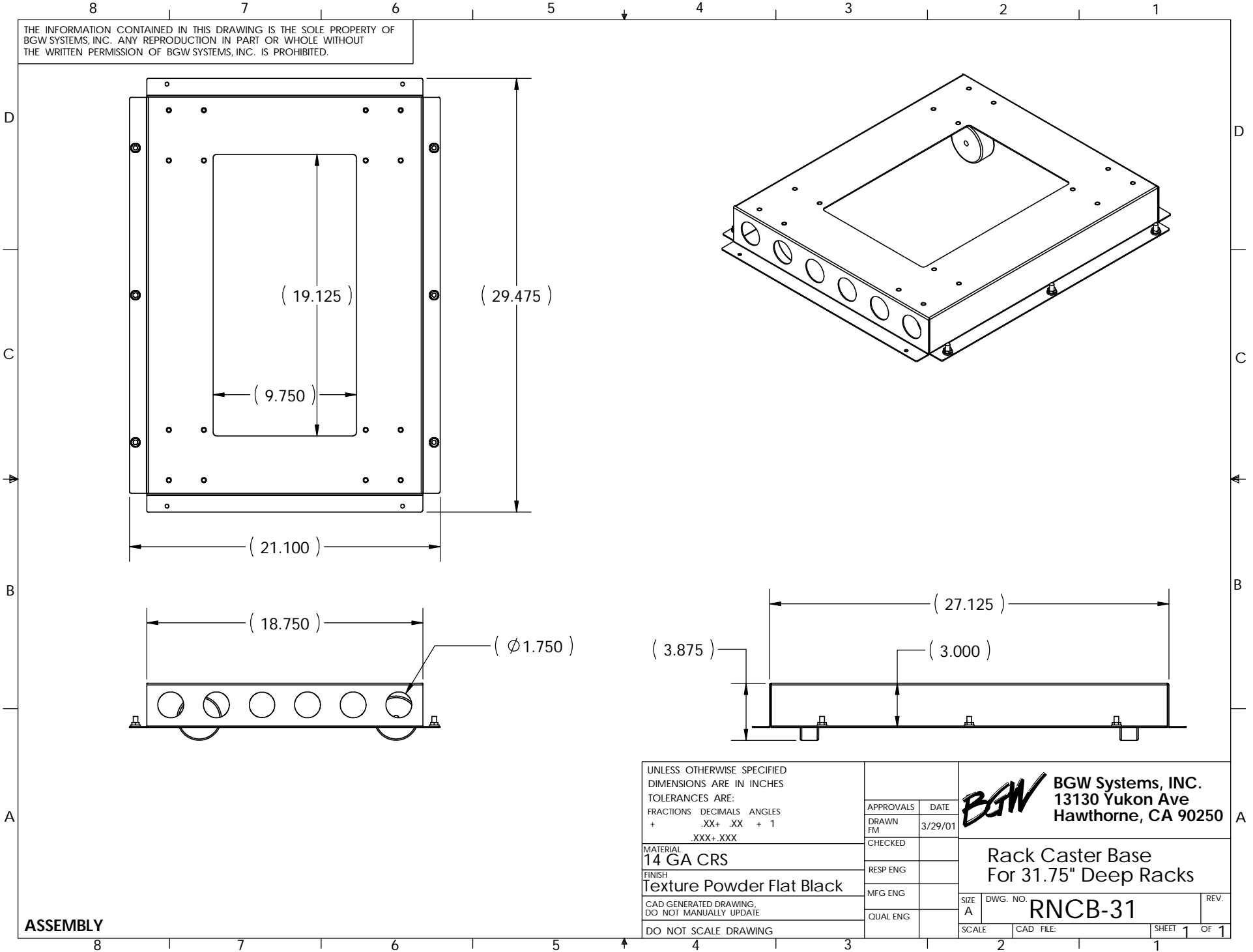



THE INFORMATION CONTAINED IN THIS DRAWING IS THE SOLE PROPERTY OF BGW SYSTEMS, INC. ANY REPRODUCTION IN PART OR WHOLE WITHOUT THE WRITTEN PERMISSION OF BGW SYSTEMS, INC. IS PROHIBITED.



UNLESS OTHERWISE SPECIFIED DIMENSIONS ARE IN INCHES TOLERANCES ARE: FRACTIONS DECIMALS ANGLES + .XX+ .XX + 1 .XXX+ .XXX		APPROVALS	DATE	 BGW Systems, INC. 13130 Yukon Ave Hawthorne, CA 90250
MATERIAL 14 GA CRS	FINISH Texture Powder Flat Black	DRAWN FM	3/29/01	
CAD GENERATED DRAWING, DO NOT MANUALLY UPDATE	DO NOT SCALE DRAWING	CHECKED		
		RESP ENG		
		MFG ENG		Rack Caster Base For 31.75" Deep Racks
		QUAL ENG		
		SIZE A	DWG. NO RNCB-31	REV.
		SCALE	CAD FILE:	SHEET 1 OF 1

ASSEMBLY