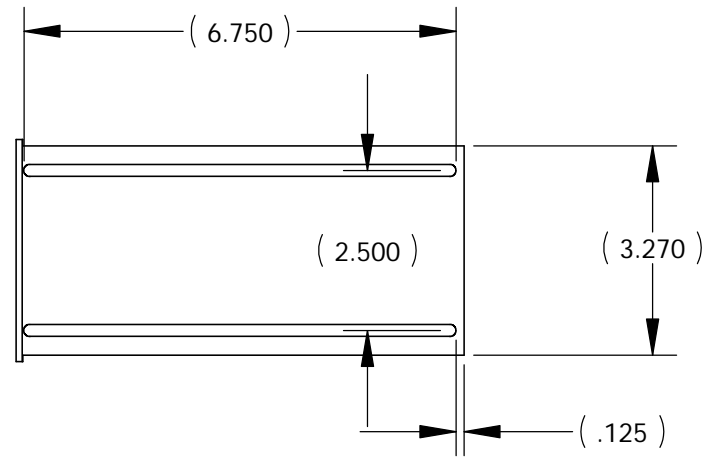
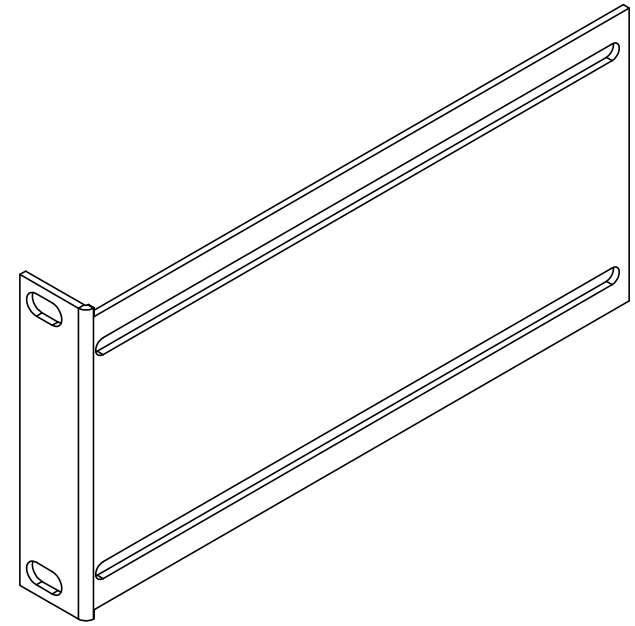
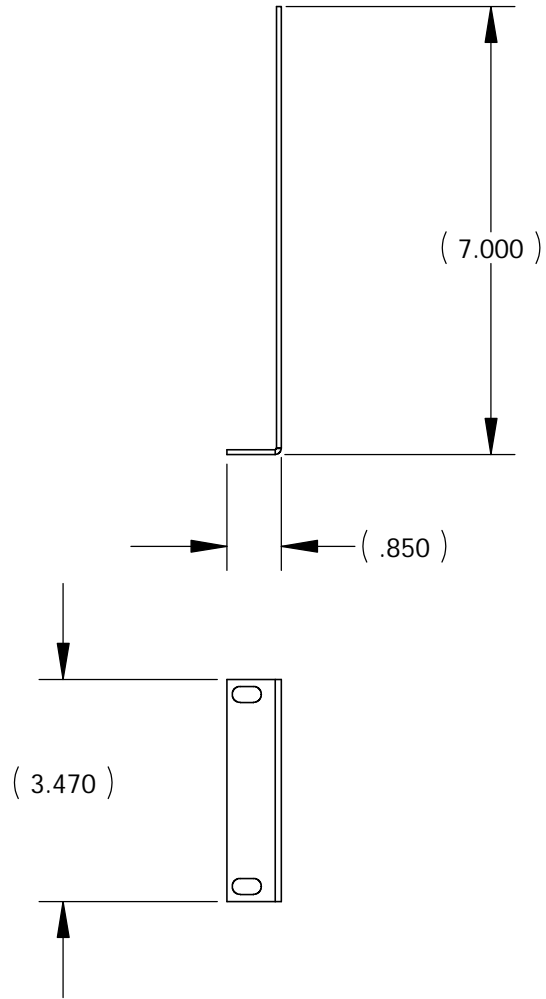


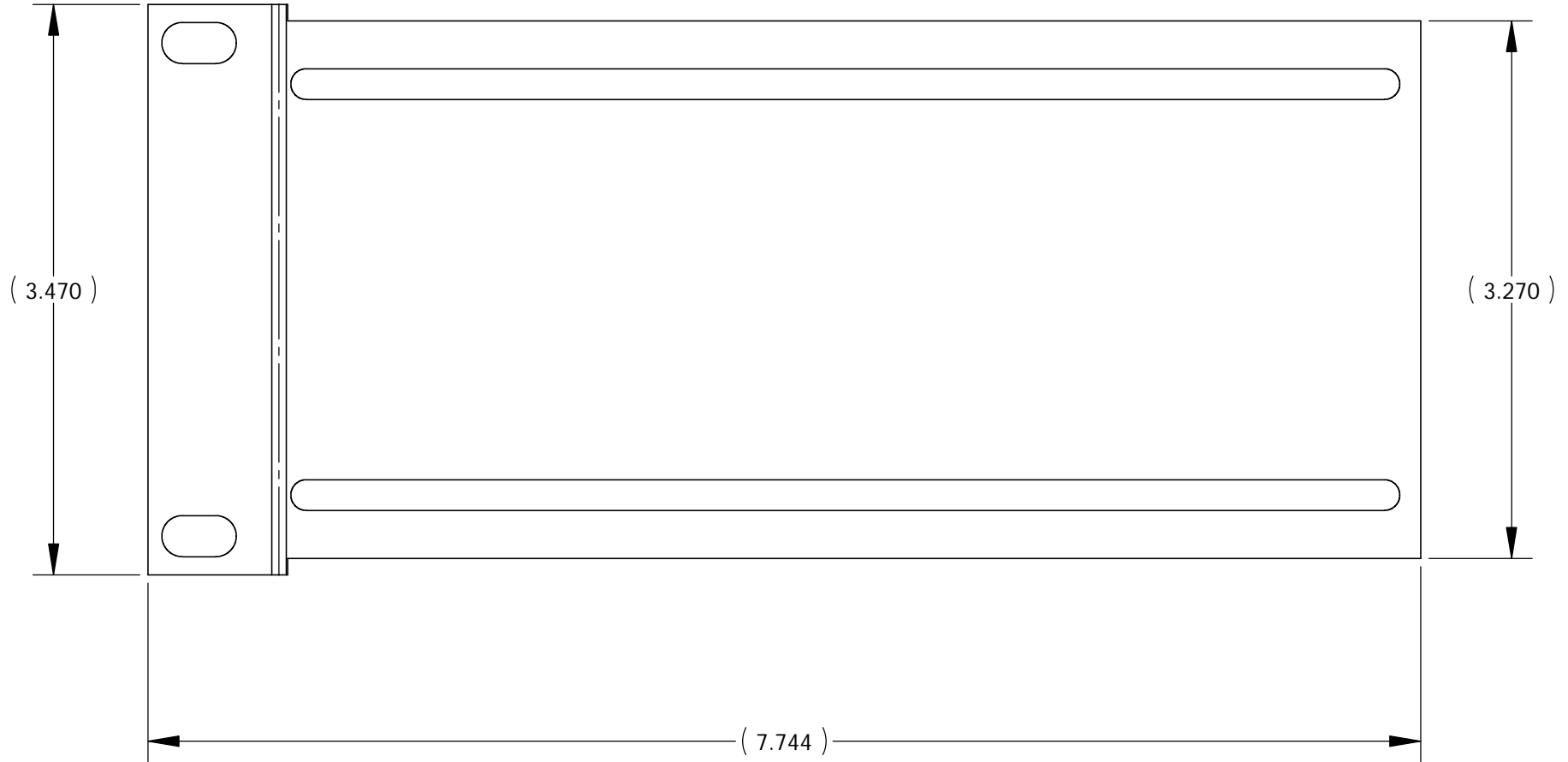
THE INFORMATION CONTAINED IN THIS DRAWING IS THE SOLE PROPERTY OF BGW SYSTEMS, INC. ANY REPRODUCTION IN PART OR WHOLE WITHOUT THE WRITTEN PERMISSION OF BGW SYSTEMS, INC. IS PROHIBITED.



PART

UNLESS OTHERWISE SPECIFIED DIMENSIONS ARE IN INCHES TOLERANCES ARE: FRACTIONS DECIMALS ANGLES + .XX+ .XX + 1 .XXX+.XXX	CAD GENERATED DRAWING, DO NOT MANUALLY UPDATE		BGW BGW Systems, INC. 13130 Yukon Ave Hawthorne, CA 90250
	APPROVALS	DATE	
MATERIAL 14 GA CRS	DRAWN FM	1/24/01	Rear Support Bracket 2U
FINISH POWDER COAT BLACK SEMI-GLOSS	CHECKED		
DO NOT SCALE DRAWING	RESP ENG		SIZE DWG. NO. REV. A RS-2
	MFG ENG		SCALE CAD FILE: SHEET OF
	QUAL ENG		

THE INFORMATION CONTAINED IN THIS DRAWING IS THE SOLE PROPERTY OF
 BGW SYSTEMS, INC. ANY REPRODUCTION IN PART OR WHOLE WITHOUT
 THE WRITTEN PERMISSION OF BGW SYSTEMS, INC. IS PROHIBITED.



UNLESS OTHERWISE SPECIFIED
 DIMENSIONS ARE IN INCHES

TOLERANCES ARE:

FRACTIONS DECIMALS ANGLES
 + .XX+ .XX + 1
 .XXX+.XXX

MATERIAL

FINISH

CAD GENERATED DRAWING.
 DO NOT MANUALLY UPDATE

DO NOT SCALE DRAWING

APPROVALS	DATE
DRAWN FM	3/27/01
CHECKED	
RESP ENG	
MFG ENG	
QUAL ENG	

BGW BGW Systems, INC.
 13130 Yukon Ave
 Hawthorne, CA 90250

Rear Support Bracket
 2U

SIZE A	DWG. NO. RS-2	REV.
SCALE	CAD FILE:	SHEET 2 OF 2

FLAT PATTERN TO SCALE