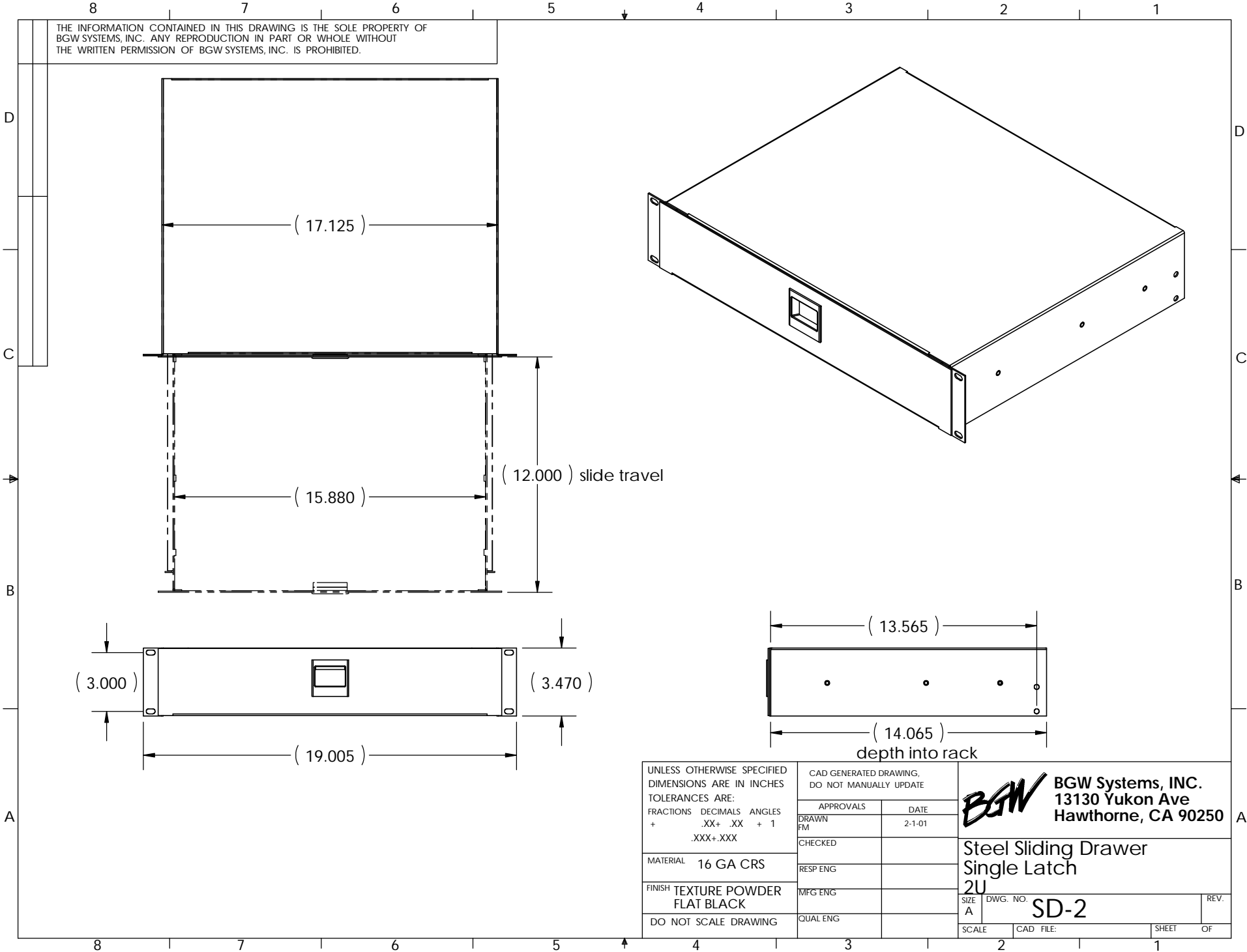


THE INFORMATION CONTAINED IN THIS DRAWING IS THE SOLE PROPERTY OF
 BGW SYSTEMS, INC. ANY REPRODUCTION IN PART OR WHOLE WITHOUT
 THE WRITTEN PERMISSION OF BGW SYSTEMS, INC. IS PROHIBITED.



UNLESS OTHERWISE SPECIFIED DIMENSIONS ARE IN INCHES TOLERANCES ARE: FRACTIONS DECIMALS ANGLES + .XX+ .XX + 1 .XXX+.XXX	CAD GENERATED DRAWING, DO NOT MANUALLY UPDATE		BGW BGW Systems, INC. 13130 Yukon Ave Hawthorne, CA 90250
	APPROVALS	DATE	
MATERIAL 16 GA CRS	DRAWN FM	2-1-01	Steel Sliding Drawer Single Latch 2U
FINISH TEXTURE POWDER FLAT BLACK	CHECKED		
DO NOT SCALE DRAWING	RESP ENG		SIZE A
	MFG ENG		DWG. NO. SD-2
	QUAL ENG		SCALE
			CAD FILE:
			SHEET OF