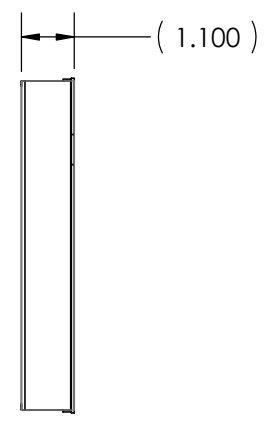
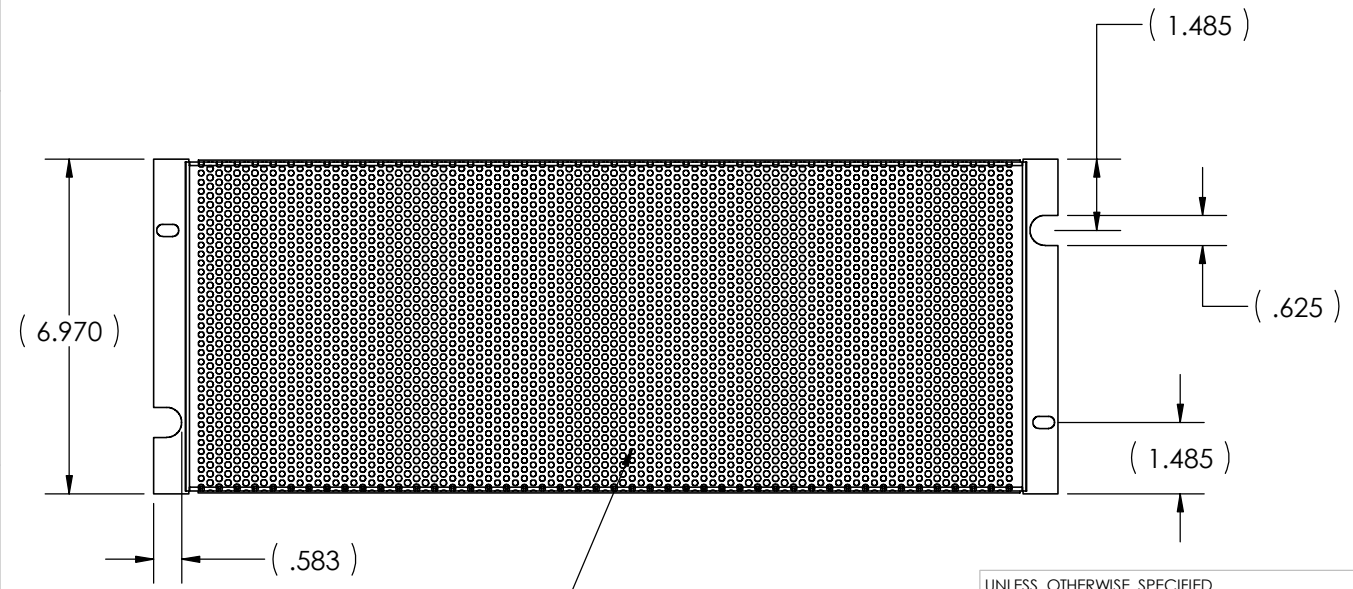
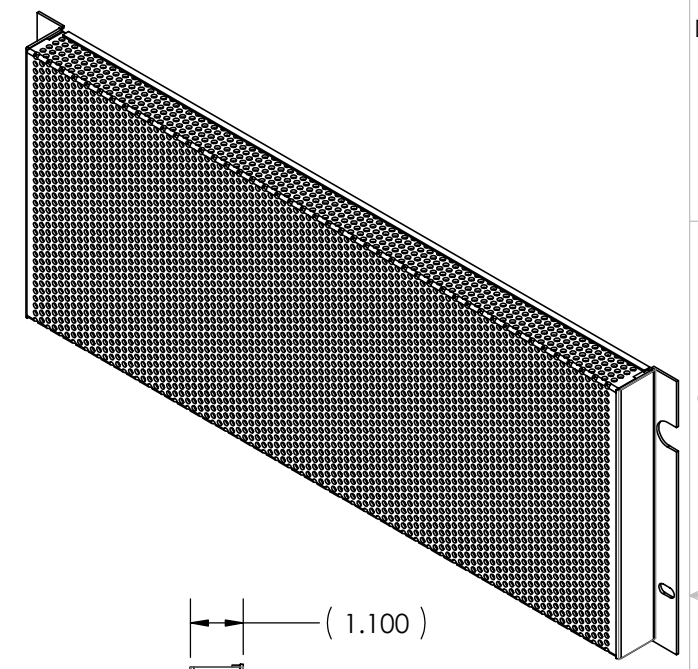
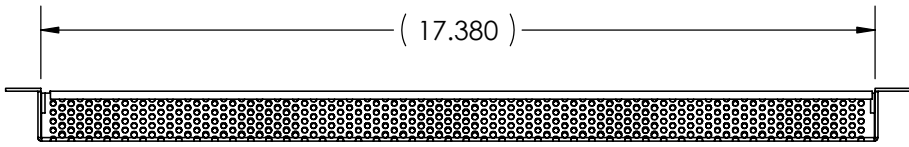


THE INFORMATION CONTAINED IN THIS DRAWING IS THE SOLE PROPERTY OF BGW SYSTEMS, INC. ANY REPRODUCTION IN PART OR WHOLE WITHOUT THE WRITTEN PERMISSION OF BGW SYSTEMS, INC. IS PROHIBITED.

REVISIONS			
REV.	DESCRIPTION	DATE	APPROVED



1/8" DIA holes
on 3/16" staggered
center

UNLESS OTHERWISE SPECIFIED
DIMENSIONS ARE IN INCHES
TOLERANCES ARE:

FRACTIONS DECIMALS ANGLES
.XX ± 0.03 ± 0.5°
.XXX ± 0.010

MATERIAL
16 GA CRS

FINISH
Cardinal T002-BK08

CAD GENERATED DRAWING.
DO NOT MANUALLY UPDATE

DO NOT SCALE DRAWING

APPROVALS	DATE
DRAWN FM	12/9/02
CHECKED	
RESP ENG	
MFG ENG	
QUAL ENG	

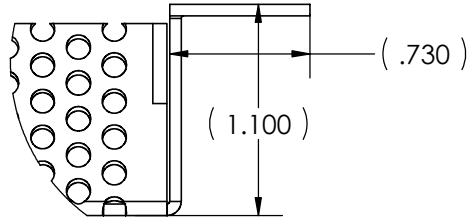
BGW BGW Systems, INC.
13130 Yukon Ave
Hawthorne, CA 90250

Security Panel Vented 4U

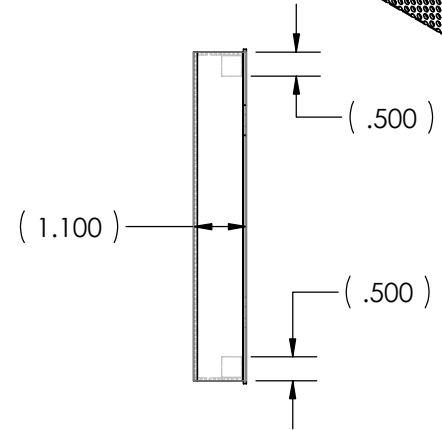
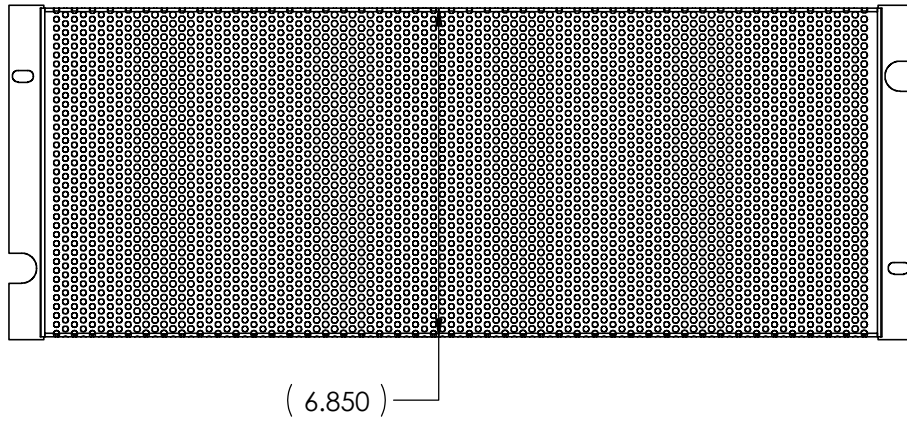
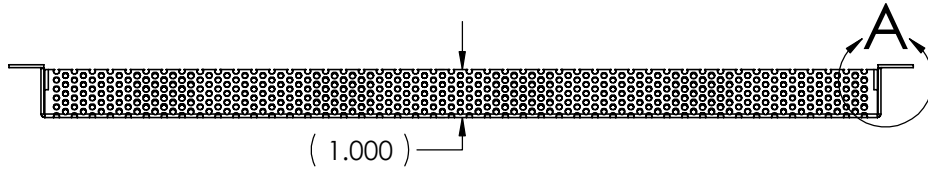
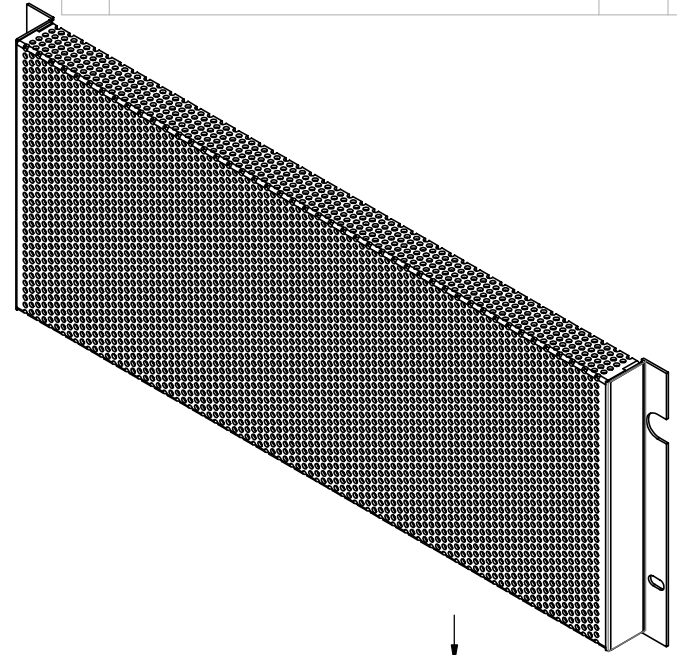
SIZE	DWG. NO.	REV.
A	SP-4	A
SCALE	CAD FILE:	SHEET 1 OF 2

THE INFORMATION CONTAINED IN THIS DRAWING IS THE SOLE PROPERTY OF BGW SYSTEMS, INC. ANY REPRODUCTION IN PART OR WHOLE WITHOUT THE WRITTEN PERMISSION OF BGW SYSTEMS, INC. IS PROHIBITED.

REVISIONS			
REV.	DESCRIPTION	DATE	APPROVED



DETAIL A
SCALE 1 : 1



UNLESS OTHERWISE SPECIFIED
DIMENSIONS ARE IN INCHES
TOLERANCES ARE:

FRACTIONS DECIMALS ANGLES
.XX ± 0.03 ± 0.5°
.XXX ± 0.010

MATERIAL
16 GA CRS Perforated

FINISH
Cardinal T002-BK08

CAD GENERATED DRAWING.
DO NOT MANUALLY UPDATE

DO NOT SCALE DRAWING

APPROVALS	DATE	BGW BGW Systems, INC. 13130 Yukon Ave Hawthorne, CA 90250
DRAWN FM	12/9/02	
CHECKED		
RESP ENG		
MFG ENG		
QUAL ENG		Security Panel Vented 4U
SIZE	DWG. NO.	REV.
A	SP-4	A
SCALE	CAD FILE:	SHEET 2 OF 2