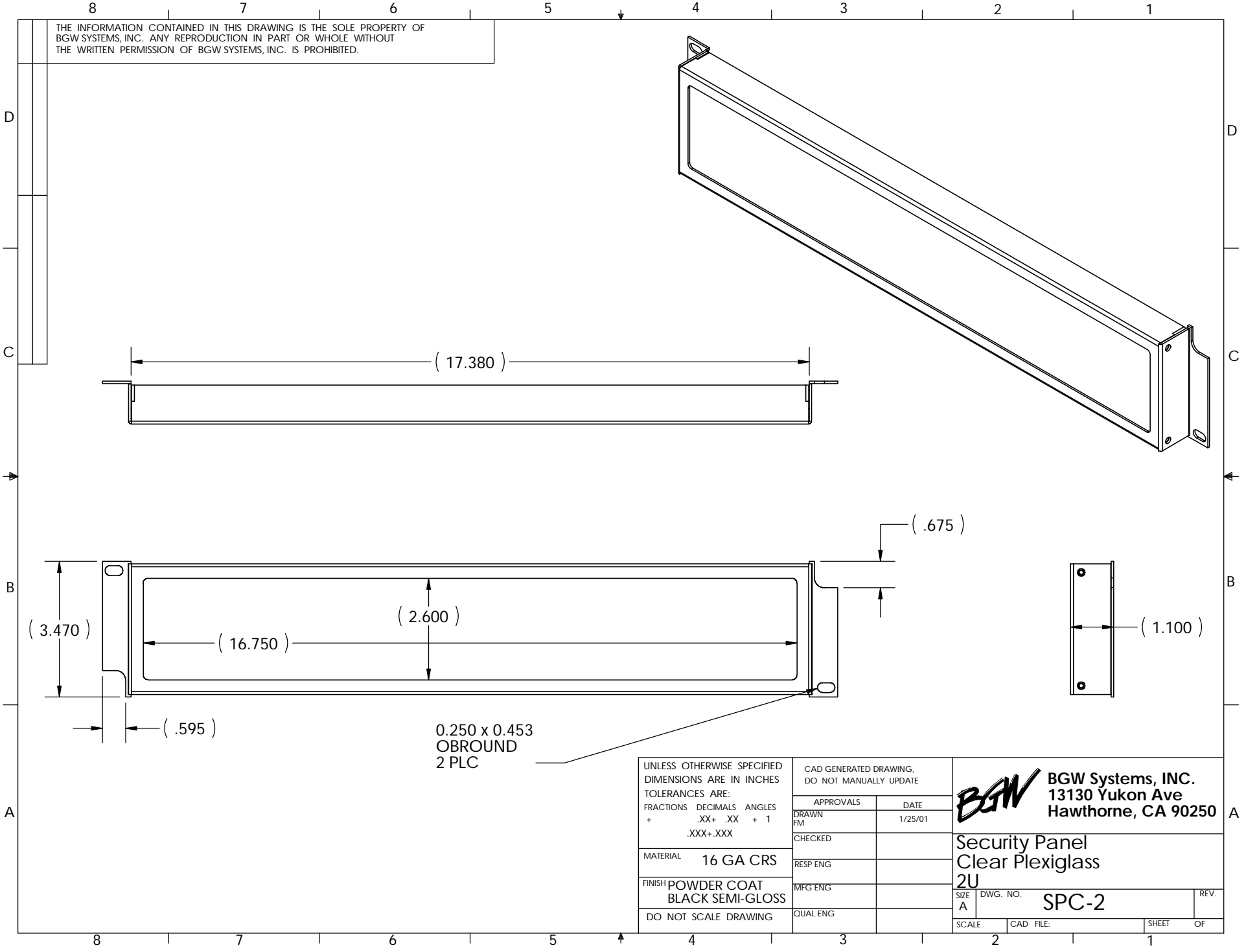


THE INFORMATION CONTAINED IN THIS DRAWING IS THE SOLE PROPERTY OF
 BGW SYSTEMS, INC. ANY REPRODUCTION IN PART OR WHOLE WITHOUT
 THE WRITTEN PERMISSION OF BGW SYSTEMS, INC. IS PROHIBITED.



0.250 x 0.453
 OBROUND
 2 PLC

UNLESS OTHERWISE SPECIFIED
 DIMENSIONS ARE IN INCHES
 TOLERANCES ARE:
 FRACTIONS DECIMALS ANGLES
 + .XX+ .XX + 1
 .XXX+.XXX

MATERIAL 16 GA CRS

FINISH POWDER COAT
 BLACK SEMI-GLOSS

DO NOT SCALE DRAWING

CAD GENERATED DRAWING,
 DO NOT MANUALLY UPDATE

APPROVALS		DATE
DRAWN FM		1/25/01
CHECKED		
RESP ENG		
MFG ENG		
QUAL ENG		

BGW BGW Systems, INC.
 13130 Yukon Ave
 Hawthorne, CA 90250

Security Panel
 Clear Plexiglass
 2U

SIZE A	DWG. NO. SPC-2	REV.
SCALE	CAD FILE:	SHEET OF