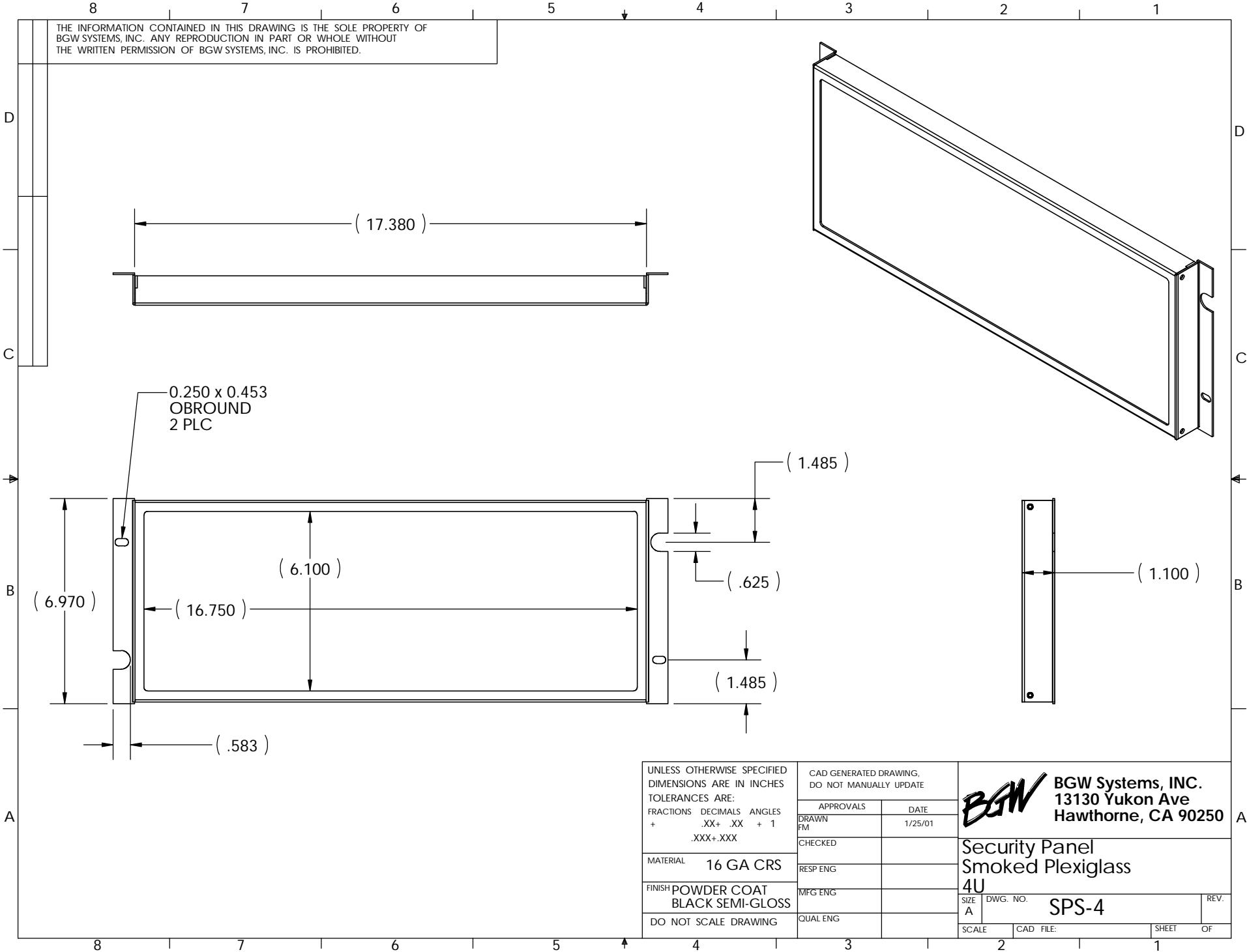
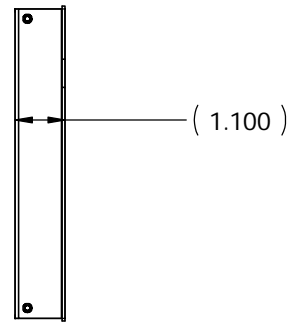
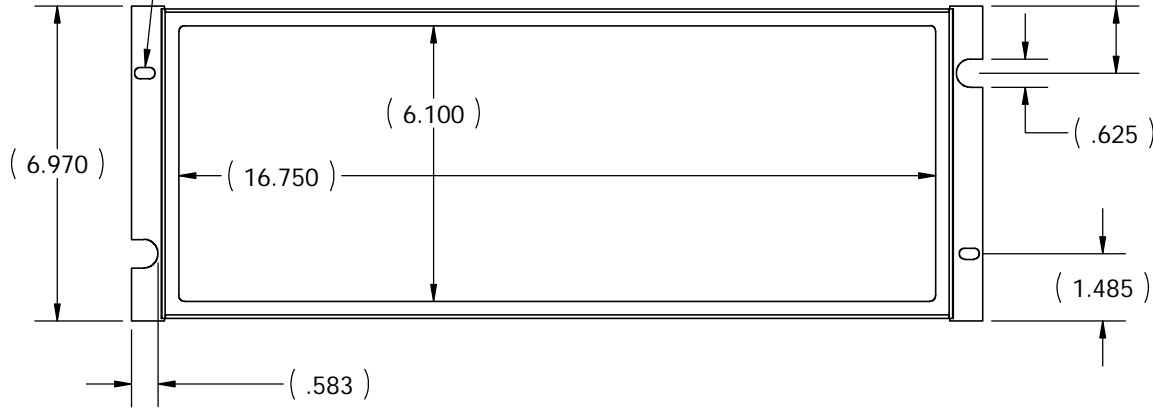



THE INFORMATION CONTAINED IN THIS DRAWING IS THE SOLE PROPERTY OF  
 BGW SYSTEMS, INC. ANY REPRODUCTION IN PART OR WHOLE WITHOUT  
 THE WRITTEN PERMISSION OF BGW SYSTEMS, INC. IS PROHIBITED.



0.250 x 0.453  
 OBROUND  
 2 PLC



UNLESS OTHERWISE SPECIFIED DIMENSIONS ARE IN INCHES TOLERANCES ARE: FRACTIONS DECIMALS ANGLES + .XX+ .XX + 1 .XXX+.XXX	CAD GENERATED DRAWING, DO NOT MANUALLY UPDATE		 <b>BGW Systems, INC.</b> 13130 Yukon Ave Hawthorne, CA 90250	
	APPROVALS      DATE			
	MATERIAL    16 GA CRS	DRAWN FM	1/25/01	<b>Security Panel</b> <b>Smoked Plexiglass</b> <b>4U</b>
	FINISH POWDER COAT BLACK SEMI-GLOSS	CHECKED	MFG ENG	
DO NOT SCALE DRAWING	QUAL ENG	REV.	DWG. NO. <b>SPS-4</b>	
SCALE      CAD FILE:		SHEET    OF		