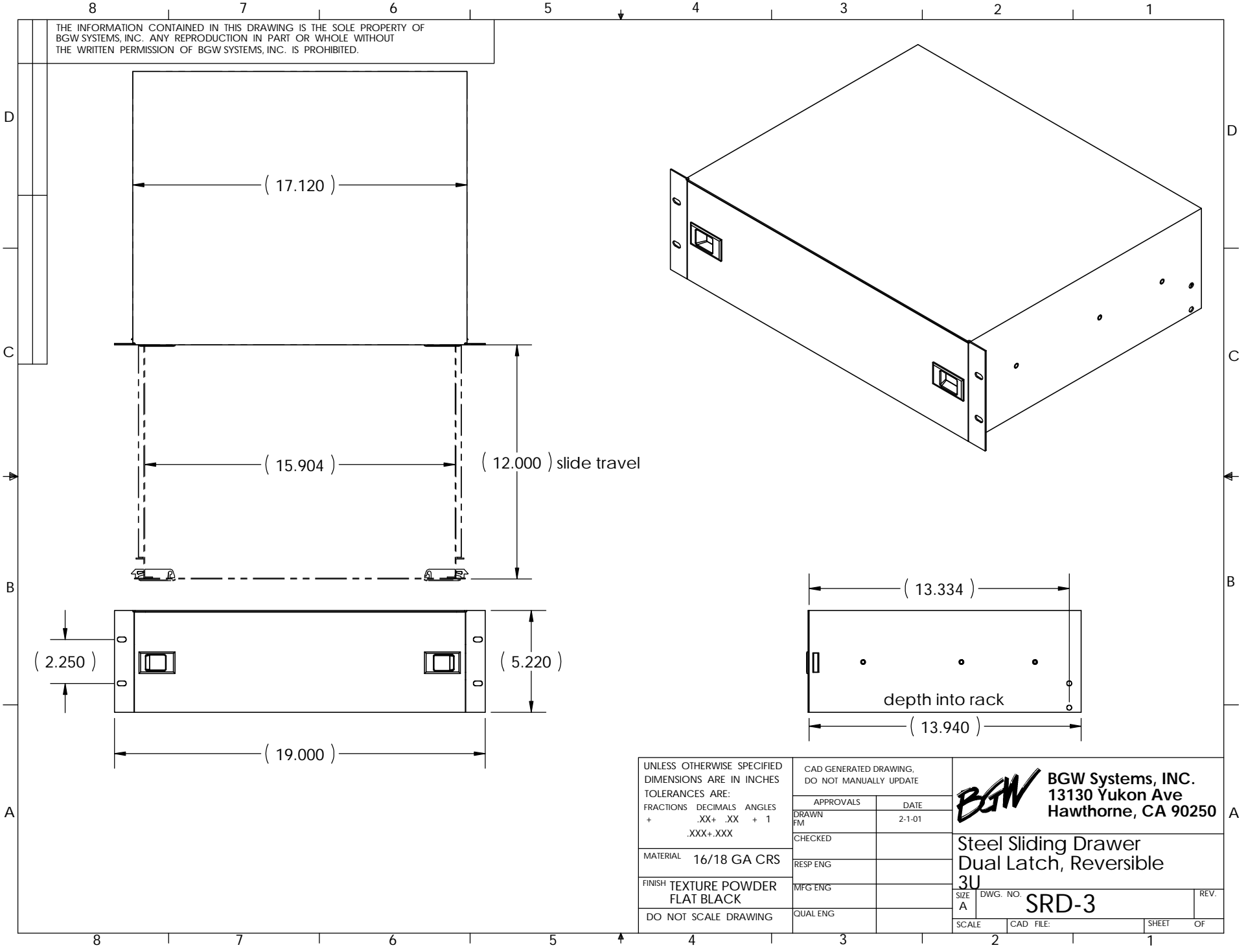



THE INFORMATION CONTAINED IN THIS DRAWING IS THE SOLE PROPERTY OF
 BGW SYSTEMS, INC. ANY REPRODUCTION IN PART OR WHOLE WITHOUT
 THE WRITTEN PERMISSION OF BGW SYSTEMS, INC. IS PROHIBITED.



UNLESS OTHERWISE SPECIFIED DIMENSIONS ARE IN INCHES TOLERANCES ARE: FRACTIONS DECIMALS ANGLES + .XX+ .XX + 1 .XXX+.XXX	CAD GENERATED DRAWING, DO NOT MANUALLY UPDATE		 BGW Systems, INC. 13130 Yukon Ave Hawthorne, CA 90250	
	APPROVALS			DATE
	DRAWN FM			2-1-01
	CHECKED			
MATERIAL 16/18 GA CRS	RESP ENG		Steel Sliding Drawer Dual Latch, Reversible	
FINISH TEXTURE POWDER FLAT BLACK	MFG ENG		3U	
DO NOT SCALE DRAWING	QUAL ENG		SIZE DWG. NO. REV. A SRD-3	
		SCALE	CAD FILE: SHEET OF	