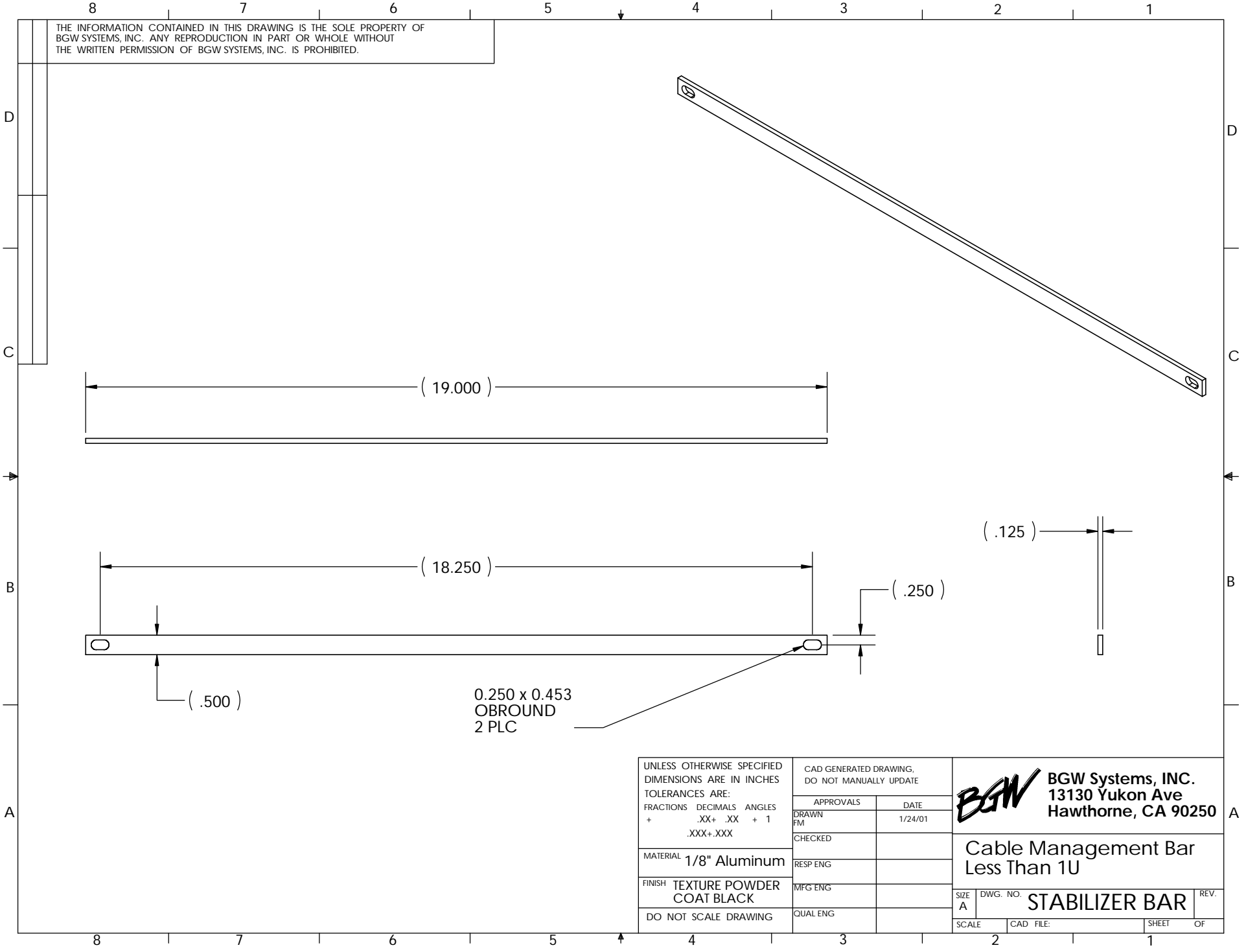


THE INFORMATION CONTAINED IN THIS DRAWING IS THE SOLE PROPERTY OF  
 BGW SYSTEMS, INC. ANY REPRODUCTION IN PART OR WHOLE WITHOUT  
 THE WRITTEN PERMISSION OF BGW SYSTEMS, INC. IS PROHIBITED.



0.250 x 0.453  
 OBROUND  
 2 PLC

UNLESS OTHERWISE SPECIFIED  
 DIMENSIONS ARE IN INCHES  
 TOLERANCES ARE:  
 FRACTIONS DECIMALS ANGLES  
 + .XX+ .XX + 1  
 .XXX+.XXX

CAD GENERATED DRAWING,  
 DO NOT MANUALLY UPDATE

APPROVALS		DATE
DRAWN FM		1/24/01
CHECKED		
RESP ENG		
MFG ENG		
QUAL ENG		

**BGW** BGW Systems, INC.  
 13130 Yukon Ave  
 Hawthorne, CA 90250

Cable Management Bar  
 Less Than 1U

SIZE A DWG. NO. **STABILIZER BAR** REV.

SCALE CAD FILE: SHEET OF

8 7 6 5 4 3 2 1