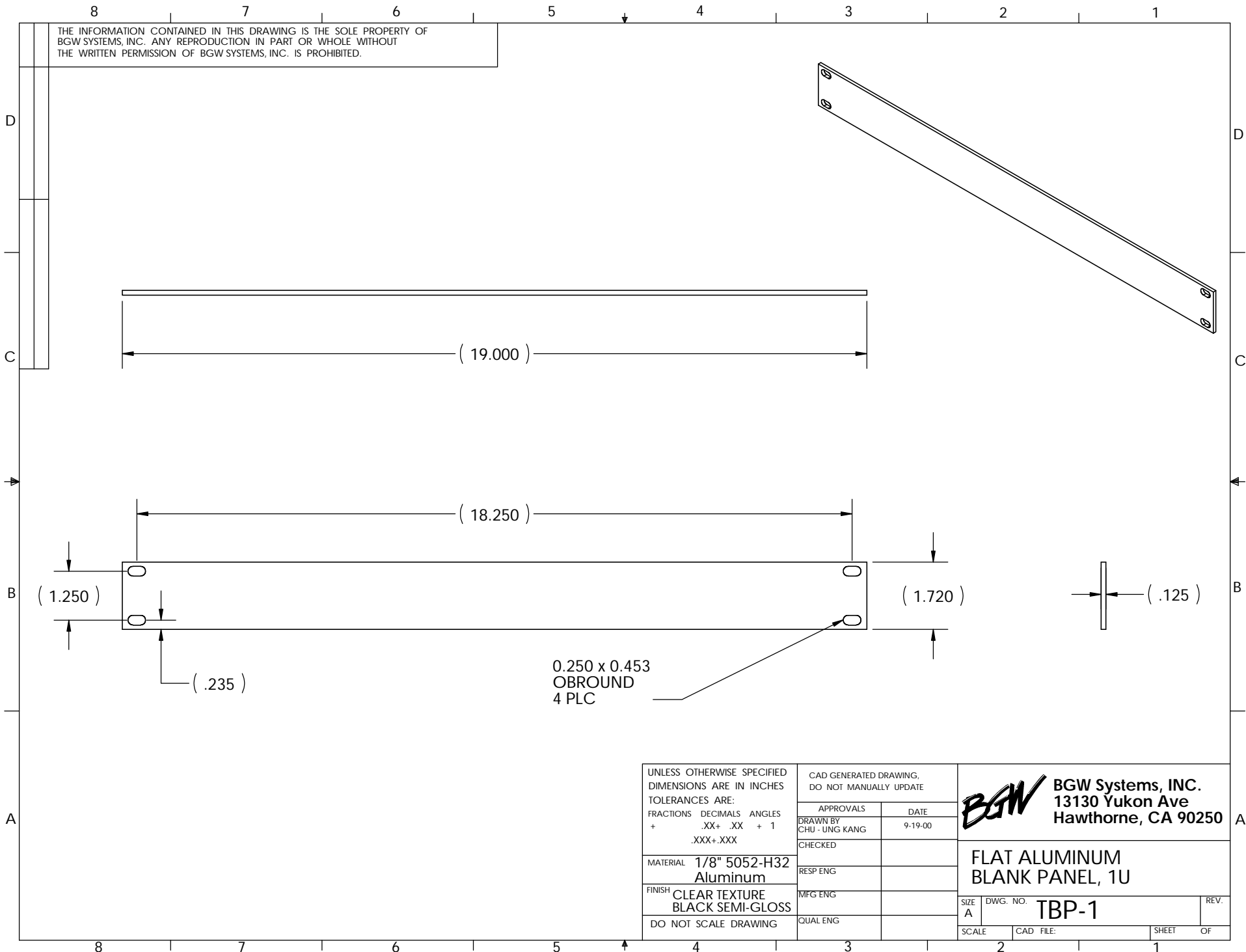



THE INFORMATION CONTAINED IN THIS DRAWING IS THE SOLE PROPERTY OF
 BGW SYSTEMS, INC. ANY REPRODUCTION IN PART OR WHOLE WITHOUT
 THE WRITTEN PERMISSION OF BGW SYSTEMS, INC. IS PROHIBITED.



0.250 x 0.453
 OBROUND
 4 PLC

UNLESS OTHERWISE SPECIFIED DIMENSIONS ARE IN INCHES TOLERANCES ARE: FRACTIONS DECIMALS ANGLES + .XX+ .XX + 1 .XXX+.XXX	CAD GENERATED DRAWING, DO NOT MANUALLY UPDATE		 BGW Systems, INC. 13130 Yukon Ave Hawthorne, CA 90250			
	APPROVALS DRAWN BY CHU - UNG KANG	DATE 9-19-00		FLAT ALUMINUM BLANK PANEL, 1U		
	CHECKED		SIZE A		DWG. NO. TBP-1	REV.
	MATERIAL 1/8" 5052-H32 Aluminum	RESP ENG	MFG ENG		SCALE 2	CAD FILE:
FINISH CLEAR TEXTURE BLACK SEMI-GLOSS	QUAL ENG					
DO NOT SCALE DRAWING						